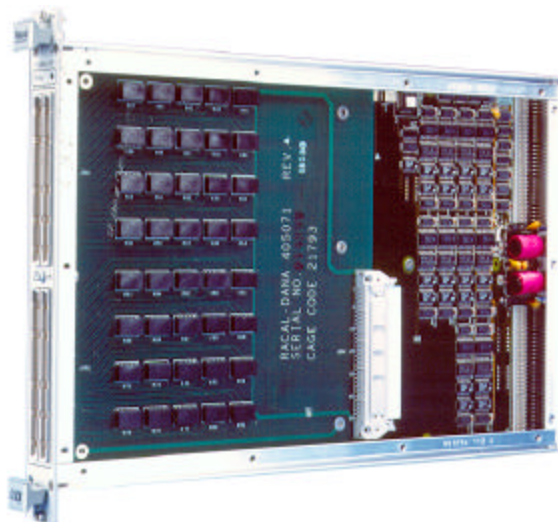


1260 VXI SWITCHING CARD

1260-17 80-CHANNEL SPDT MATRIX MODULE

PUBLICATION NO. 980673-013



RACAL INSTRUMENTS

Racal Instruments, Inc.

4 Goodyear St., Irvine, CA 92618-2002
Tel: (800) RACAL-ATE, (800) 722-2528, (949) 859-8999;
FAX: (949) 859-7139

Racal Instruments, Ltd.

480 Bath Road, Slough, Berkshire, SL1 6BE, United Kingdom
Tel: +44 (0) 1628 604455; FAX: +44 (0) 1628 662017

Racal Systems Electronique S.A.

18 Avenue Dutartre, 78150 LeChesnay, France
Tel: +33 (1) 3923 2222; FAX: +33 (1) 3923 2225

Racal Systems Elettronica s.r.l.

Strada 2-Palazzo C4, 20090 Milanofiori Assago, Milan, Italy
Tel: +39 (0)2 5750 1796; FAX: +39 (0)2 5750 1828

Racal Elektronik System GmbH.

Technologiepark Bergisch Gladbach, Friedrich-Ebert-Strasse, D-51429
Bergisch Gladbach, Germany
Tel.: +49 2204 8442 00; FAX: +49 2204 8442 19

Racal Instruments, Ltd.

Unit 5, 25F., Mega Trade Center, No 1, Mei Wan Road, Tsuen Wan, Hong
Kong, PRC Tel: +852 2405 5500, FAX: +852 2416 4335

<http://www.racalstruments.com>

PUBLICATION DATE: May 8, 2002

Copyright 2002 by Racal Instruments, Inc. Printed in the United States of America. All rights reserved.
This book or parts thereof may not be reproduced in any form without written permission of the publisher.

THANK YOU FOR PURCHASING THIS RACAL INSTRUMENTS PRODUCT.

For this product, or any other Racal Instruments product that incorporates software drivers, you may access our web site to verify and/or download the latest driver versions. The web address for driver downloads is: <http://www.racalinstruments.com/downloads>

You will be asked to register one time only to gain access to the driver and product manual downloads sections. At registration a cookie will be placed on your computer if you choose to accept it. This is done to facilitate your use of these sections on future visits. You may refuse to accept the cookie and still have complete access to the software driver database but will have to re-register every time you visit. This cookie is for ease of use only and no information is gathered for, sold, or reported to, any third party organization.

If you have any questions about software driver downloads or our privacy policy, please contact us at info@racalinstruments.com.

WARRANTY STATEMENT

All Racal Instruments, Inc. products are designed and manufactured to exacting standards and in full conformance to Racal's ISO 9001 procedures.

For the specific terms of your standard warranty, or optional extended warranty or service agreement, contact your Racal customer service advisor. Please have the following information available to facilitate service.

1. Product serial number
2. Product model number
3. Your company and contact information

You may contact your customer service advisor by:

E-Mail:	Helpdesk@racalinstruments.com	
Telephone:	+1 800 722 3262	(USA)
	+44(0) 8706 080134	(UK)
	+852 2405 5500	(Hong Kong)
Fax:	+1 949 859 7309	(USA)
	+44(0) 1628 662017	(UK)
	+852 2416 4335	(Hong Kong)

RETURN of PRODUCT

Authorization is required from Racal Instruments before you send us your product for service or calibration. Call your nearest Racal Instruments support facility. A list is located on the last page of this manual. If you are unsure where to call, contact Racal Instruments, Inc. Customer Support Department in Irvine, California, USA at 1-800-722-3262 or 1-949-859-8999 or via fax at 1-949-859-7139. We can be reached at: helpdesk@racalinstruments.com.

PROPRIETARY NOTICE

This document and the technical data herein disclosed, are proprietary to Racal Instruments, and shall not, without express written permission of Racal Instruments, be used, in whole or in part to solicit quotations from a competitive source or used for manufacture by anyone other than Racal Instruments. The information herein has been developed at private expense, and may only be used for operation and maintenance reference purposes or for purposes of engineering evaluation and incorporation into technical specifications and other documents which specify procurement of products from Racal Instruments.

FOR YOUR SAFETY

Before undertaking any troubleshooting, maintenance or exploratory procedure, read carefully the **WARNINGS** and **CAUTION** notices.

This equipment contains voltage hazardous to human life and safety, and is capable of inflicting personal injury.

If this instrument is to be powered from the AC line (mains) through an autotransformer, ensure the common connector is connected to the neutral (earth pole) of the power supply.

Before operating the unit, ensure the conductor (green wire) is connected to the ground (earth) conductor of the power outlet. Do not use a two-conductor extension cord or a three-prong/two-prong adapter. This will defeat the protective feature of the third conductor in the power cord.

Maintenance and calibration procedures sometimes call for operation of the unit with power applied and protective covers removed. Read the procedures and heed warnings to avoid "live" circuit points.

Before operating this instrument:

1. Ensure the instrument is configured to operate on the voltage at the power source. See Installation Section.
2. Ensure the proper fuse is in place for the power source to operate.
3. Ensure all other devices connected to or in proximity to this instrument are properly grounded or connected to the protective third-wire earth ground.

If the instrument:

- fails to operate satisfactorily
- shows visible damage
- has been stored under unfavorable conditions
- has sustained stress

Do not operate until performance is checked by qualified personnel.

This page was left intentionally blank.

NOTE FOR SYSTEMS WITH 1260-OPT 01T

The “Module-Specific Syntax” section of this manual shows the command syntax for the 1260-01S Smart Card. If you are using the newer 1260-01T Smart Card, the commands will NOT work as shown.

Consult the 1260-01T Manual for a description of the commands that may be used with the 1260-01T Smart Card.

The channel numbers described in this manual are valid for the 1260-01T. The channel numbers continue to be used for the 1260-01T.

The syntax of the commands that use channel numbers has changed for those cards controlled by the 1260-01T.

The new syntax used to close a channel is:

```
CLOSE (@ <module address> ( <channel> ) )
```

For example, with for a relay module whose <module address> is set to 7, closing <channel> 0 is performed with the command:

```
CLOSE (@ 7 (0))
```

Using the older 1260-01S, the command would be (as shown in this manual):

```
CLOSE 7.0
```

Many other command syntax differences exist. Please consult chapter 2 of the 1260-01T manual for a description of the commands that are available for the 1260-01T.

Control Information for the 1260-17

The following information describes the control-register-to-relay-channel mapping for a 1260-17 Relay Module. This information may be used to control a 1260-17 when using a 1260-01T in the register-based mode of operation.

Each relay on this module is controlled by setting or clearing a single bit within a Control Register. Control Registers on the module operate 8 channels simultaneously. There are eight control bits per Control Register. Setting the bit to a 1 closes the relay; setting the bit to a 0 opens the relay.

The table below shows the mapping from logical channels to control bits. The logical channels are used when operating the relay module in message-based mode. The control bits within the Control Registers are used to operate the module in register-based mode.

Each Control Register is located 2 addresses from the previous Control Register. That is, each Control Register is located at an odd address. This is shown in Table 2-2 of the 1260-01T manual. Control Register 0 is located at the “Base A24 Address” for the module. Consult the “Register-Based Operation” Section of Chapter 2 of the 1260-01T manual for a description of calculating control register addresses.

Channel	Control Register	Control Bit
0	0	0
1	0	1
2	0	2
3	0	3
4	0	4
5	0	5
6	0	6
7	0	7
8	1	0
9	1	1
10	1	2
11	1	3
12	1	4
13	1	5
14	1	6
15	1	7
16	2	0
17	2	1
18	2	2
19	2	3
20	2	4
21	2	5
22	2	6
23	2	7
24	3	0
25	3	1
26	3	2
27	3	3
28	3	4
29	3	5
30	3	6
31	3	7
32	4	0
33	4	1
34	4	2
35	4	3
36	4	4
37	4	5
38	4	6
39	4	7
40	5	0
41	5	1
42	5	2

Channel	Control Register	Control Bit
43	5	3
44	5	4
45	5	5
46	5	6
47	5	7
48	6	0
49	6	1
50	6	2
51	6	3
52	6	4
53	6	5
54	6	6
55	6	7
56	7	0
57	7	1
58	7	2
59	7	3
60	7	4
61	7	5
62	7	6
63	7	7
64	8	0
65	8	1
66	8	2
67	8	3
68	8	4
69	8	5
70	8	6
71	8	7
72	9	0
73	9	1
74	9	2
75	9	3
76	9	4
77	9	5
78	9	6
79	9	7

This page was intentionally left blank

Table Of Contents

Chapter 1	
MODULE SPECIFICATION.....	1-1
Module Specification	1-1
Specifications	1-2
Chapter 2	
INSTALLATION INSTRUCTIONS	2-1
Unpacking and Inspection.....	2-1
Reshipment Instructions	2-1
Option 01 Installation.....	2-2
Module Installation.....	2-2
1260-17 ID Byte.....	2-2
Chapter 3	
MODULE SPECIFIC SYNTAX.....	3-1
1260-17 Module Specific Syntax.....	3-1
Syntax	3-1
Chapter 4	
DRAWINGS.....	4-1
Chapter 5	
PARTS LIST.....	5-1
Chapter 6	
OPTIONAL HARNESS ASSEMBLIES	6-1
Chapter 7	
PRODUCT SUPPORT	7-1
Product Support	7-1

Reshipment Instructions 7-1
Support Offices 7-2

List of Figures

Figure 1-1, 1260-17 80 Channel SPDT Switch Module	1-1
Figure 3-1, 1260-17 Block Diagram.....	3-2
Figure 3-2, 1260-17 Pin Connections, Front View	3-3

This page was left intentionally blank.

Chapter 1

MODULE SPECIFICATION

Module Specification

The 1260-17 80-Channel SPDT Switch Module is a high density multipurpose switch card, (Refer to the diagram below). It switches single lines per channel. Each channel is available at the module's front panel as either a normally open (NO) or normally closed (NC) path. A block diagram of the module is shown in Figure 3-1.

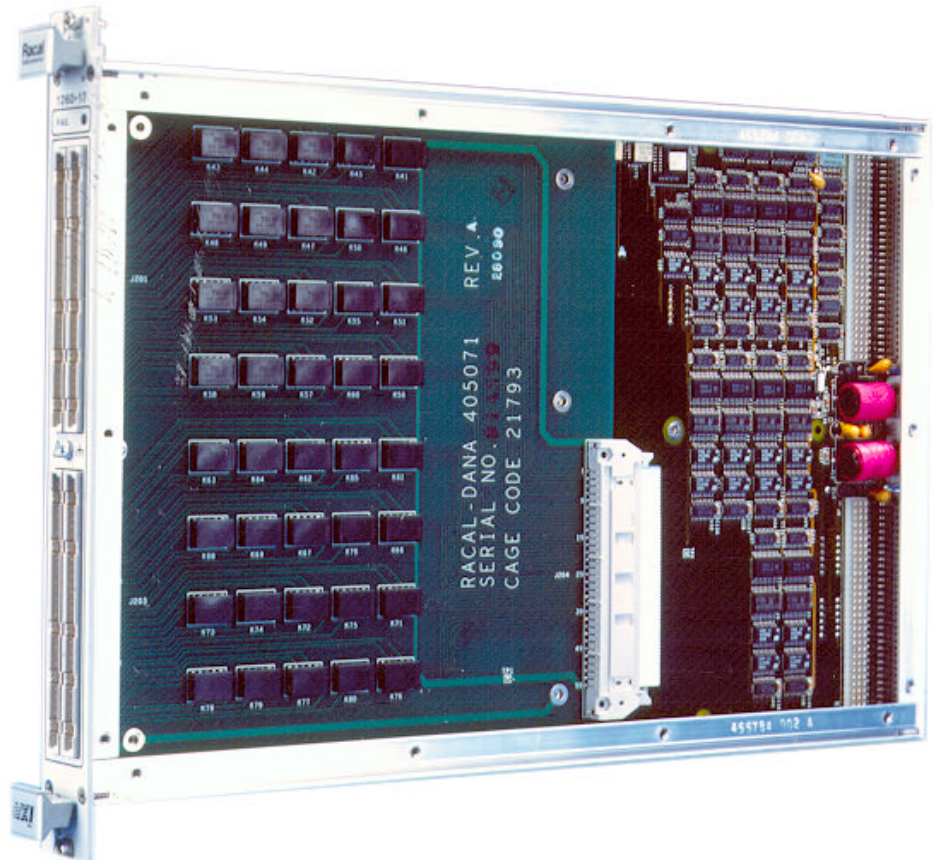


Figure 1-1, 1260-17 80 Channel SPDT Switch Module

Specifications

User Connector 64-Pin (2 Row) IDC Quick Disconnect
 User connector is included with the 1260-17. *

Maximum Switchable Voltage
 (Terminal-Terminal or Terminal Chassis)
 250 VDC, 250 VAC RMS

Maximum Switchable Current

Per Channel 1 ADC, 1 A RMS

Maximum Switchable Power

Per Channel 30 WDC, 62.5 VA AC

Path Resistance < 0.5 Ω

DC Isolation COM-NO > 2 x 10⁹ Ω

Bandwidth, (-3db)
 50 termination > 60 MHz

Insertion Loss,
 50 Ω termination < .1 dB to 100 kHz
 < .5 dB to 1 MHz
 < 1 dB to 10 MHz (typical)

Crosstalk,
 50 Ω termination < -45 dB to 100 kHz
 < -40 dB to 1 MHz
 < -35 dB to 10 MHz

*A crimp connector kit is also available for this module (P/N 404975-003). A strain relief option can be ordered separately for this crimp connector kit.

Isolation, 50 Ω termination < -30 dB to 10 MHz

Switching Time 2mS

Minimum Option 01 Firmware

Revision 17.1

Chapter 2

INSTALLATION INSTRUCTIONS

Unpacking and Inspection

1. Before unpacking the switching module, check the exterior of the shipping carton for any signs of damage. All irregularities should be noted on the shipping bill.
2. Remove the instrument from its carton, preserving the factory packaging as much as possible.
3. Inspect the switching module for any defect or damage. Immediately notify the carrier if any damage is apparent.
4. Have a qualified person check the instrument for safety before use.

CAUTION

Proper ESD handling procedures must always be used when packing, unpacking or installing any 1260 Series cards. Failure to do so may cause damage to the unit.

Reshipment Instructions

1. Use the original packing material when returning the switching module to Racal-Dana for calibration or servicing. The original shipping carton and the instrument's plastic foam will provide the necessary support for safe reshipment.
2. If the original packing material is unavailable, wrap the switching module in plastic sheeting and use plastic spray foam to surround and protect the instrument.
3. Reship in either the original or a new shipping carton.

**Option 01
Installation**

Installation of the Option 01 to the 1260-17 is described in the Installation section of the 1260 Series VXI Switching Cards Manual.

**Module
Installation**

Installation of the 1260-17 Switching Module into a VXI mainframe, including the setting of DIP switches, is described in the Installation section of the 1260 Series VXI Switching Cards Manual.

1260-17 ID Byte

The 1260-17 has only one ID byte and it is hard wired inside the module. The ID byte is h17.

Chapter 3

MODULE SPECIFIC SYNTAX

1260-17 Module Specific Syntax

The Module Specific Syntax for the 1260-17 is required in the use of the OPEN and CLOSE commands. It will also appear in data output by the Master in response to the PDATAOUT and PSETUP commands.

Syntax

The Module Specific Syntax for the 1260-17 Signal Multiplexer/Scanner module is as follows:

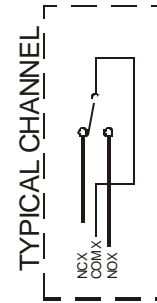
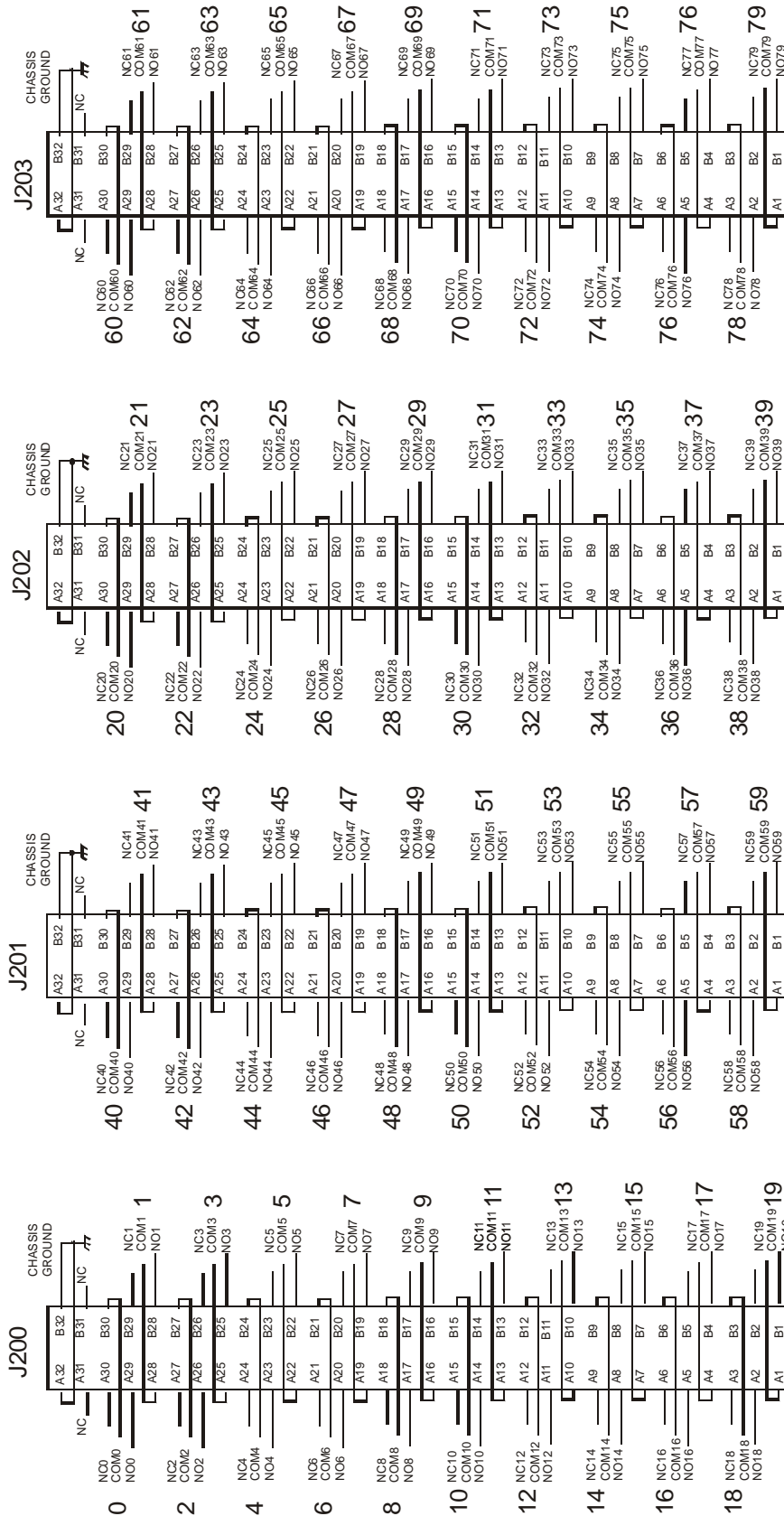
<module address>.<channel number>

where <module address> is the address.

<channel number> is the reference number of the channel to be closed, value 0 - 79.

NOTE

The <module address> used here is NOT the VXibus defined logical address of the 1260 Series Master. It is peculiar to the 1260 Series and describes the switching module in relation to the Master. This address corresponds to the binary value of the switch setting of SW1 on the switching module PCB.



Revised 03-7-02

Figure 3-1, 1260-17 Block Diagram

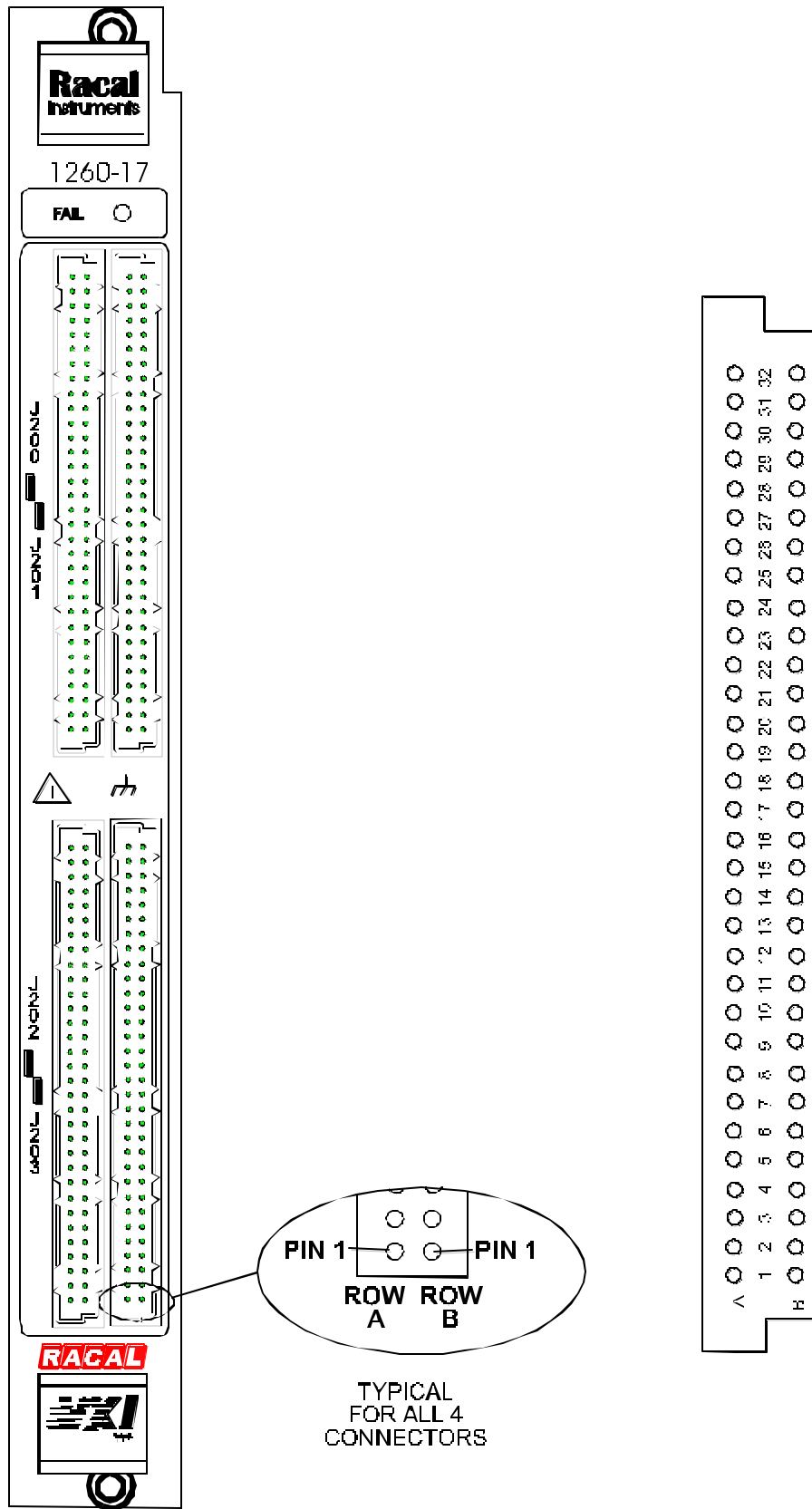


Figure 3-2, 1260-17 Pin Connections, Front View

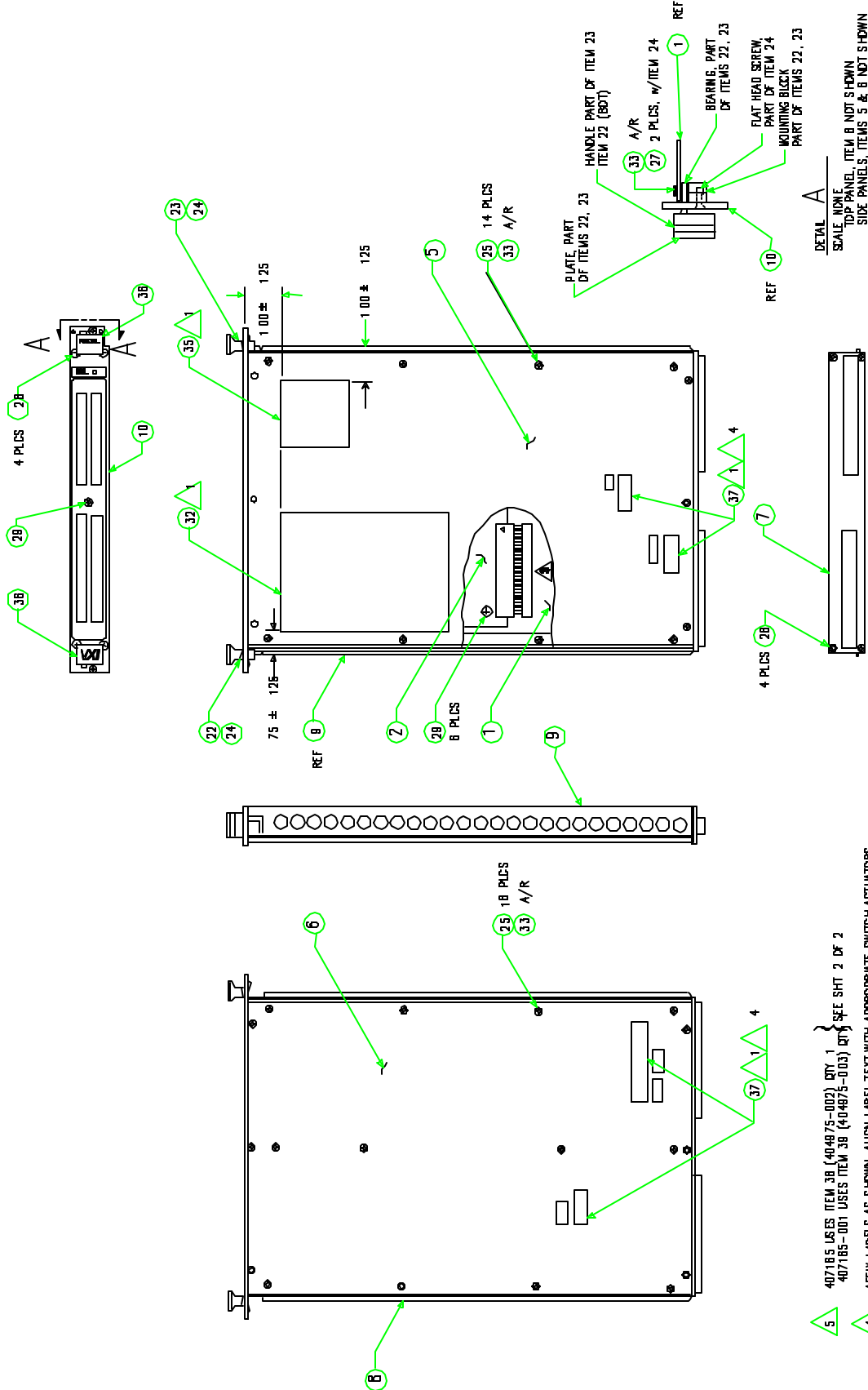
This page was left intentionally blank.

Chapter 4

DRAWINGS

407165	Final Assy, 1260-17 (IDC Connectors)	4-3
405165-001	Final Assy, 1260-17A (Crimp Connectors)	4-3
405070	PCB Assy, 1260-17	4-4
435070	Schematic, 1260-17	4-5
405071	PCB Assy, 1260-17D	4-19
435071	Schematic, 1260-17D	4-20

Revised 5-8-02

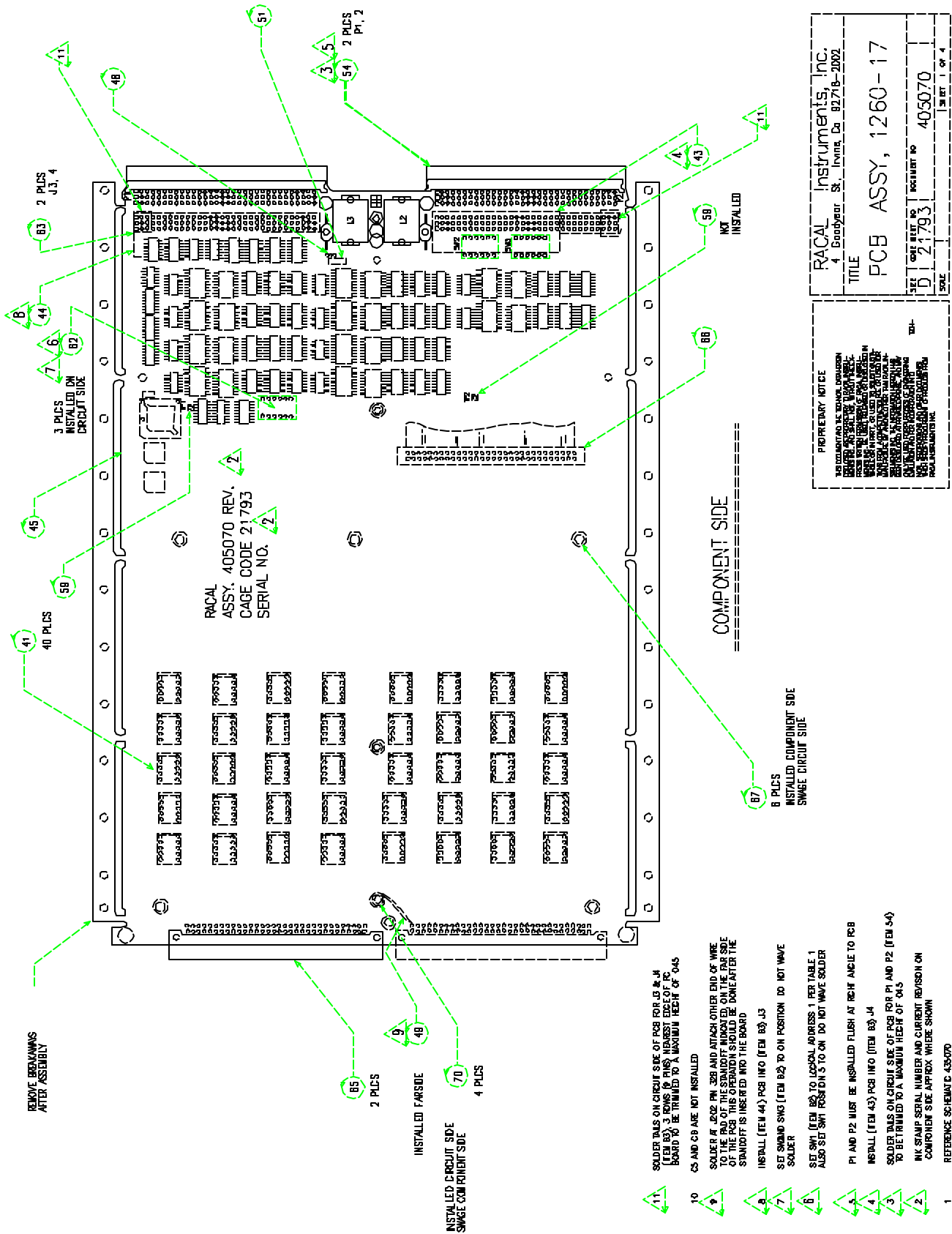


- 5 407185 LABELS ITEM 36 (404875-002) QTY 1
407185-001 USES ITEM 38 (404875-003) QTY 1 SEE SHT 2 OF 2
 - 4 AFFIX LABELS AS SHOWN, ALIGN LABEL TEXT WITH APPROPRIATE SWITCH-ACTUATORS
 - 3 CONNECT CABLE FROM ITEM 1 TO ITEM 2 AS SHOWN
 - 2 INCLUDE ITEM 36 (404875-002 SHP KIT) OR ITEM 38 (404875-003) SHP KIT) IN BOX WITH ASSY.
 - 1 LOCATE LABELS WHERE SHOWN
- NOTES: UNLESS OTHERWISE SPECIFIED

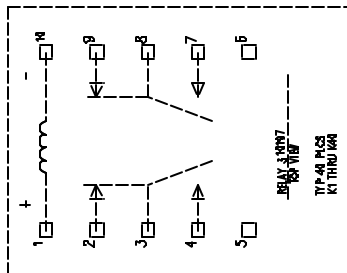
DETAIL A
SCALE: NONE
TOP PANEL, ITEM B NOT SHOWN
SIDE PANELS, ITEMS 5 & 8 NOT SHOWN

PROPRIETARY NOTICE
THIS DOCUMENT IS THE PROPERTY OF RACAL INSTRUMENTS, INC. IT IS TO BE USED ONLY FOR THE PURPOSES SPECIFIED HEREIN. IT IS NOT TO BE REPRODUCED, COPIED, OR TRANSMITTED IN ANY FORM OR BY ANY MEANS, ELECTRONIC OR MECHANICAL, INCLUDING PHOTOCOPYING, RECORDING, OR BY ANY INFORMATION STORAGE AND RETRIEVAL SYSTEM, WITHOUT THE WRITTEN PERMISSION OF RACAL INSTRUMENTS, INC.

RACAL Instruments, Inc. 4 Goodyear St., Irvine, Ca 92718-2002	
TITLE FINAL ASSY, 1260-17,17A	
SIZE D	DOCUMENT NO 407165-001
DATE 2/17/93	SHEET 1 OF 2



Drawings 4-4



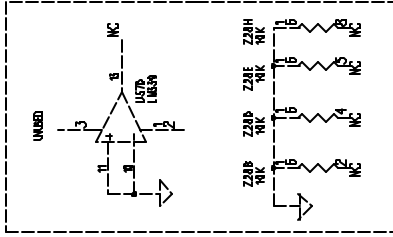
REF	DES	TYPE	PH NO	PH NO
U71	231154 (227190)		28	14
U75	21831		11	8
U73,74	21832		11	8
U71,72,77	74HC238		11	8
U70	231152-011 (11102)		24	10
U67	1859		3	12
U61	74HC245		11	8
U64,65	74LS138		11	8
U63	231153 (1180)		24	10
U4,8,12,18,20,24,28	74HC118		11	8
U62,31,60,69	2003		NC	9
U6,7,11,15,19,23, U7,31,55,59	74HC275		24	10
U6,8,20,14,18,22, U9,39,64	74HC114		14	7
U1,5,9,13,17,21,25, U6,37,51,52	C		+5V	00
			PH NO	PH NO

IC POWER AND GROUND CONNECTIONS

Z28
V1
U77
TP2
SW3
PG5
L5
W4
U62
C140
HW5E7
REF DES

CALL REBAR & CHECK REV DT
FOR SHEETS 1 THRU 11

570701 IVA
570702 IVA
570703 IVA
570704 IVA
570705 IVA
570706 IVA
570707 IVA
570708 IVA
570709 IVA
570710 IVA
570711 IVA
570712 IVA
570713 IVA
570714 IVA
570715 IVA
570716 IVA



"THIS DOCUMENT WAS CREATED AND INDEXED UP ON THE ORCAD/SBT IP CAD SYSTEM. ALL REVISIONS ARE TO BE MADE ON THE ORCAD/SBT IP SYSTEM IN ACCORDANCE WITH COMPANY POLICY FOR CAD DOCUMENTATION."

- 1. COMPONENT VALUES ARE IN MICROGRAMS, SEMI, +/- 50% UNLESS OTHERWISE SPECIFIED
- 2. RESISTOR NETWORKS ARE IN OHMS
- 3. ALL VALUES SHOWN IN DE-EMPHASIZED POSITION
- 4. TP2, CS AND C1 ARE NOT INSTALLED
- 5. REBAR K1 THRU K4 ARE LOCAL-DRAW P/N 434197

PROPERTY NOTICE

THIS DOCUMENT IS THE PROPERTY OF RADAC INSTRUMENTS, INC. IT IS LOANED TO YOU BY RADAC INSTRUMENTS, INC. IT IS NOT TO BE REPRODUCED, COPIED, OR TRANSMITTED IN ANY FORM OR BY ANY MEANS, ELECTRONIC OR MECHANICAL, INCLUDING PHOTOCOPYING, RECORDING, OR BY ANY INFORMATION STORAGE AND RETRIEVAL SYSTEM.

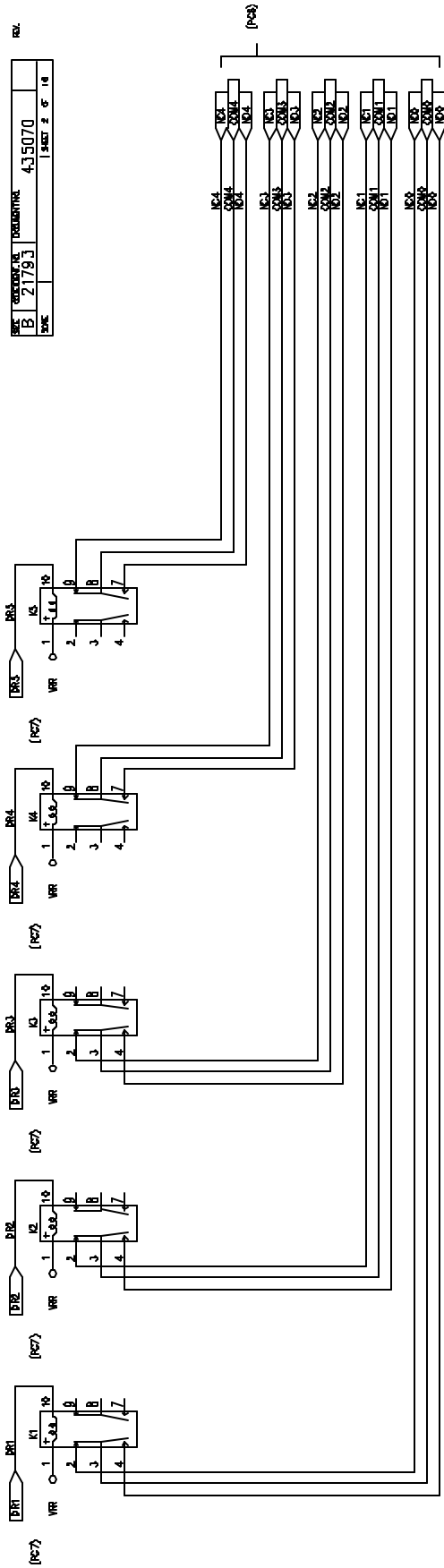
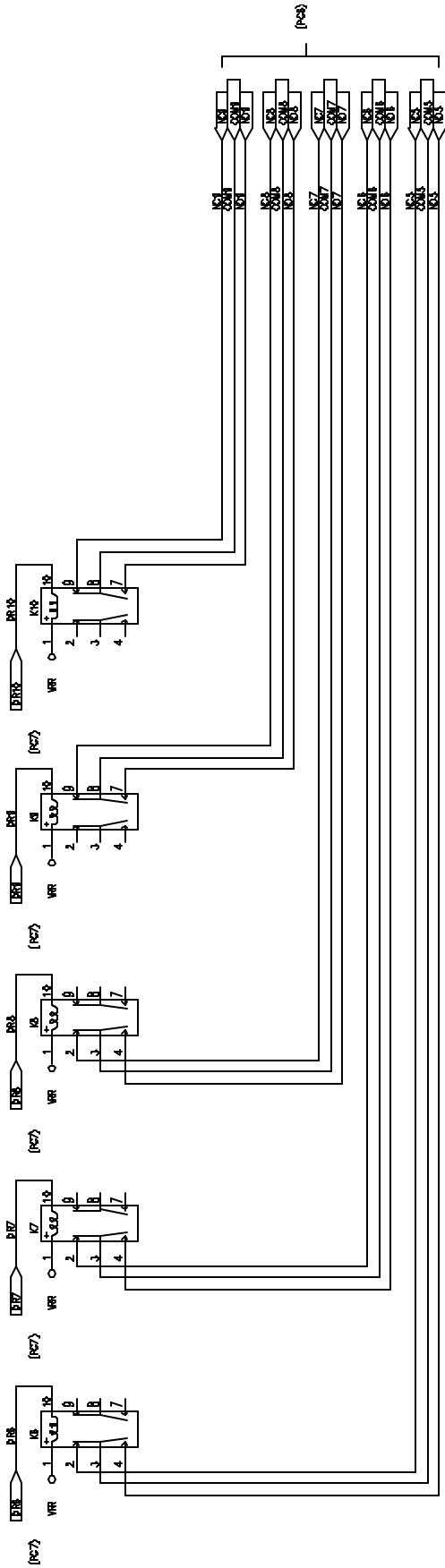
RADAC Instruments, Inc.
4, 5004441 ST., IRVINE, CA 92714-5002

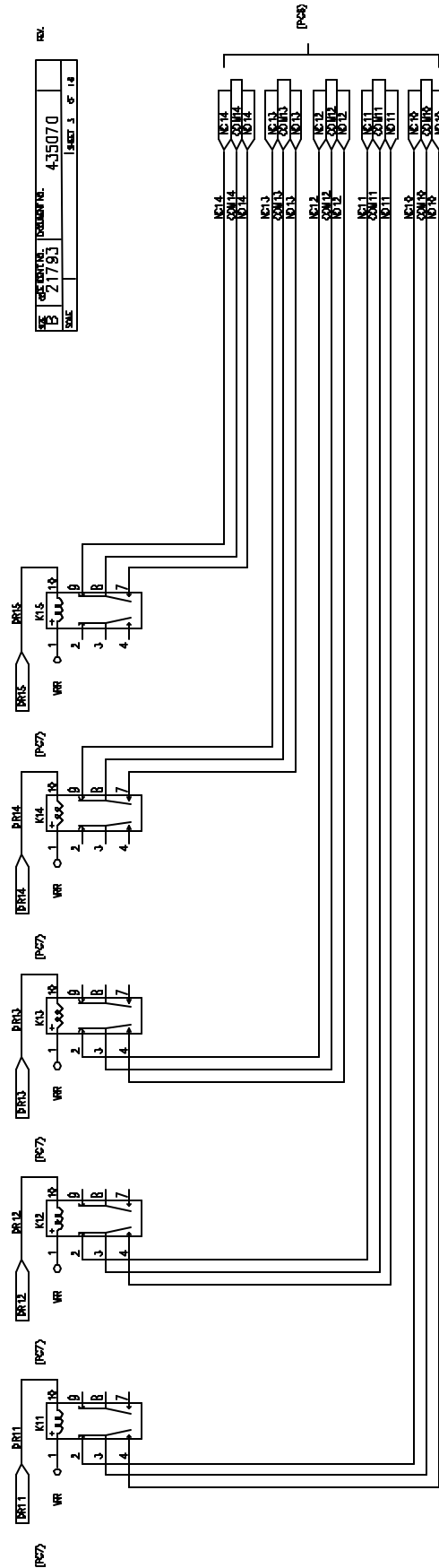
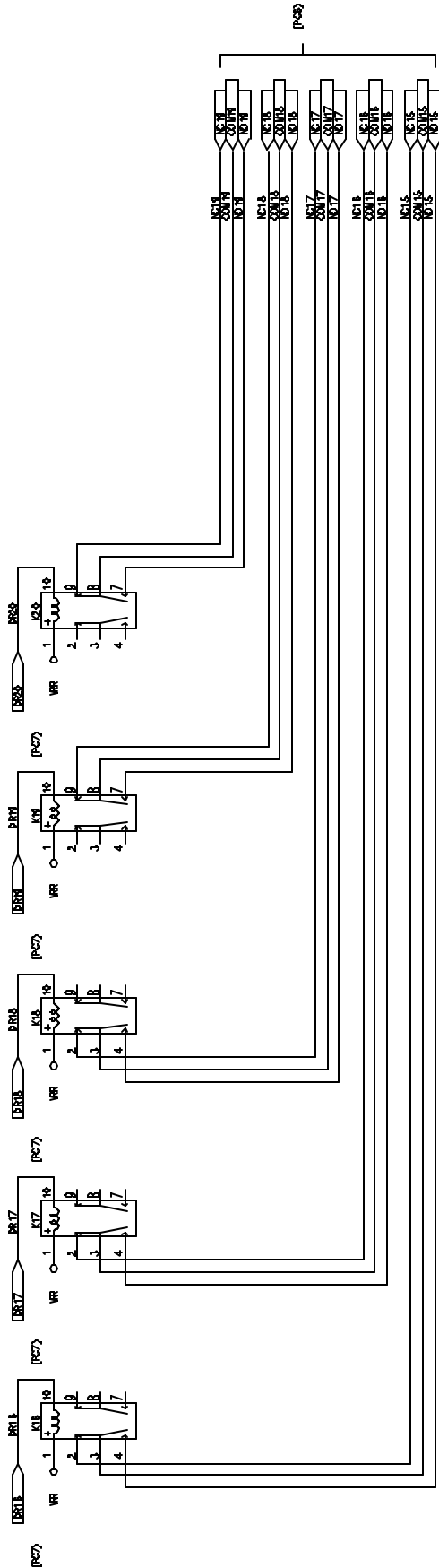
TITLE: SCHEM., 1260-17

REV: 21795

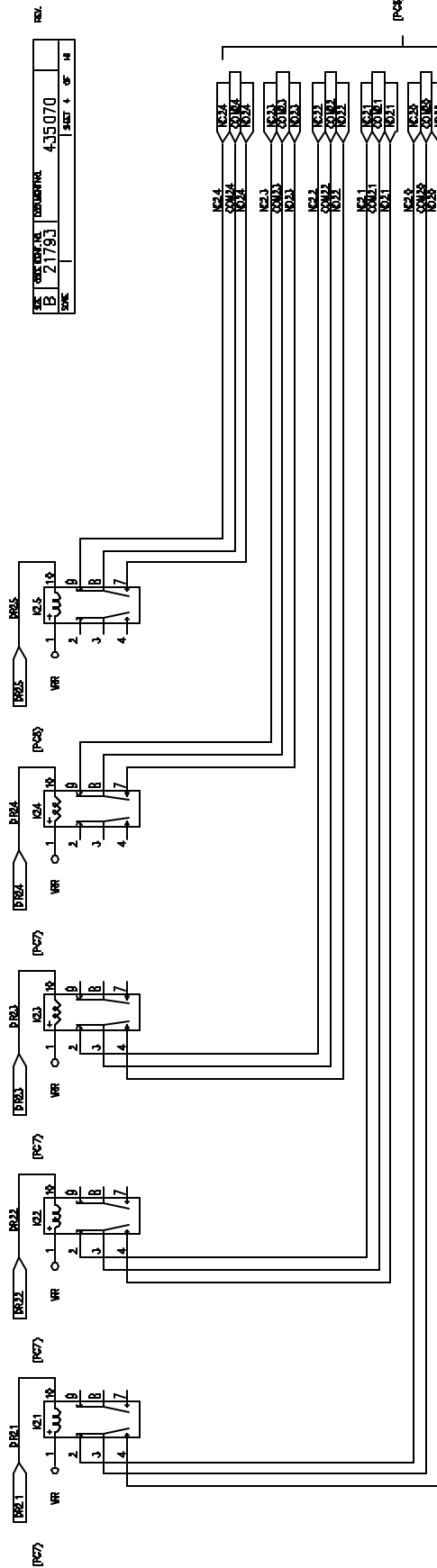
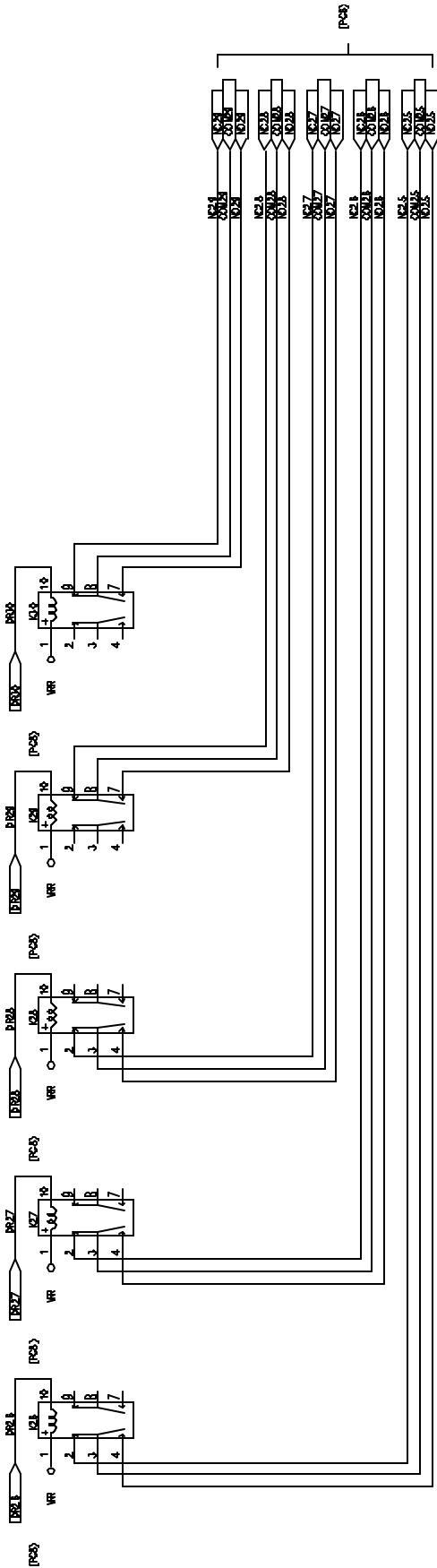
DATE: 4/30/70

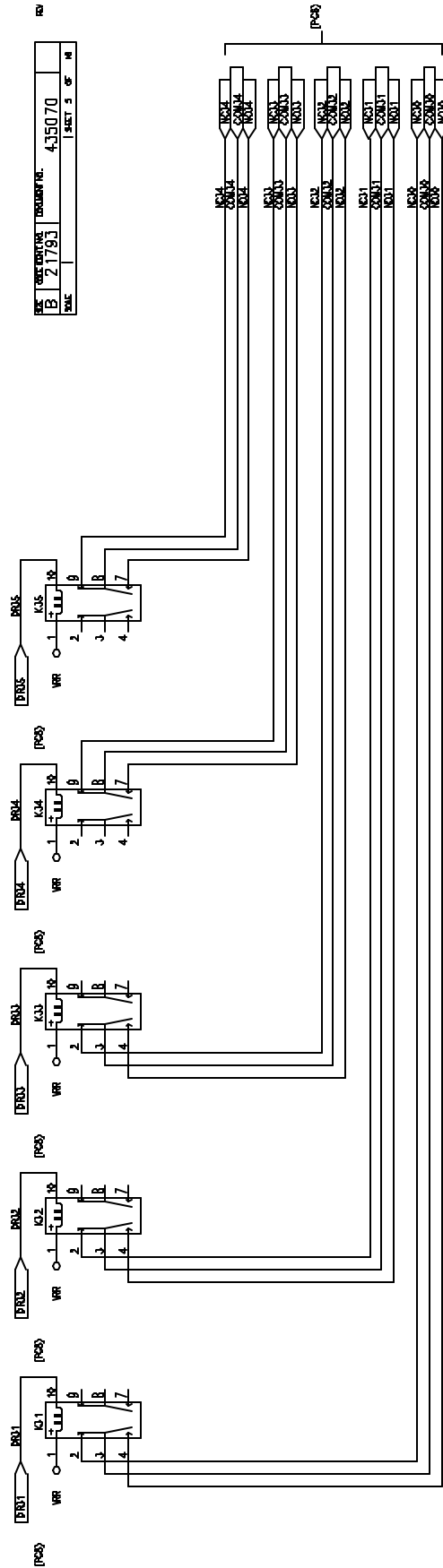
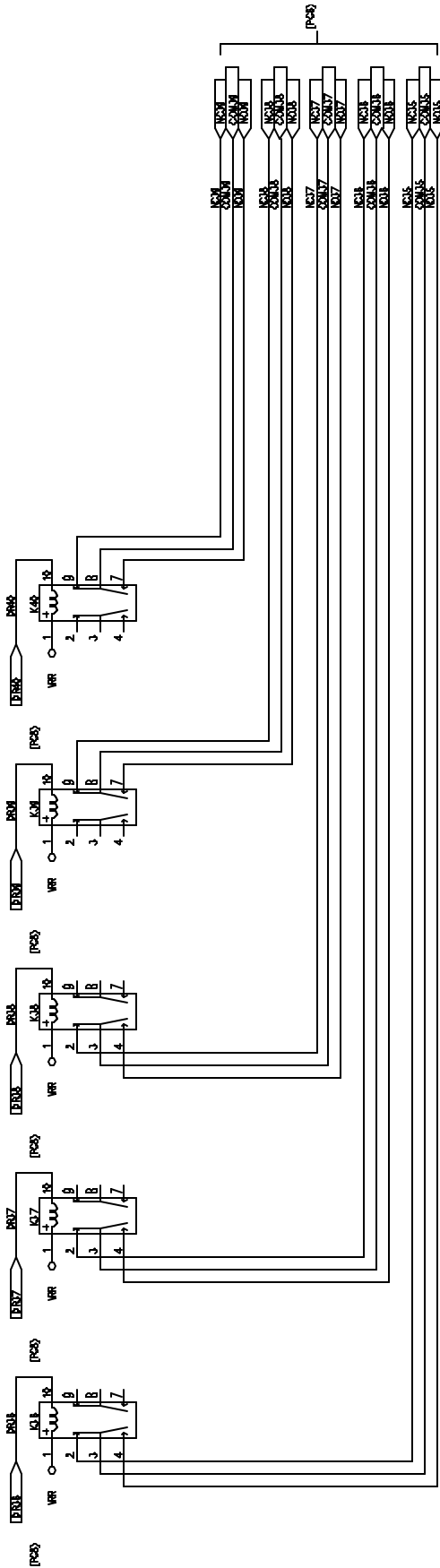
SHEET 1 OF 11



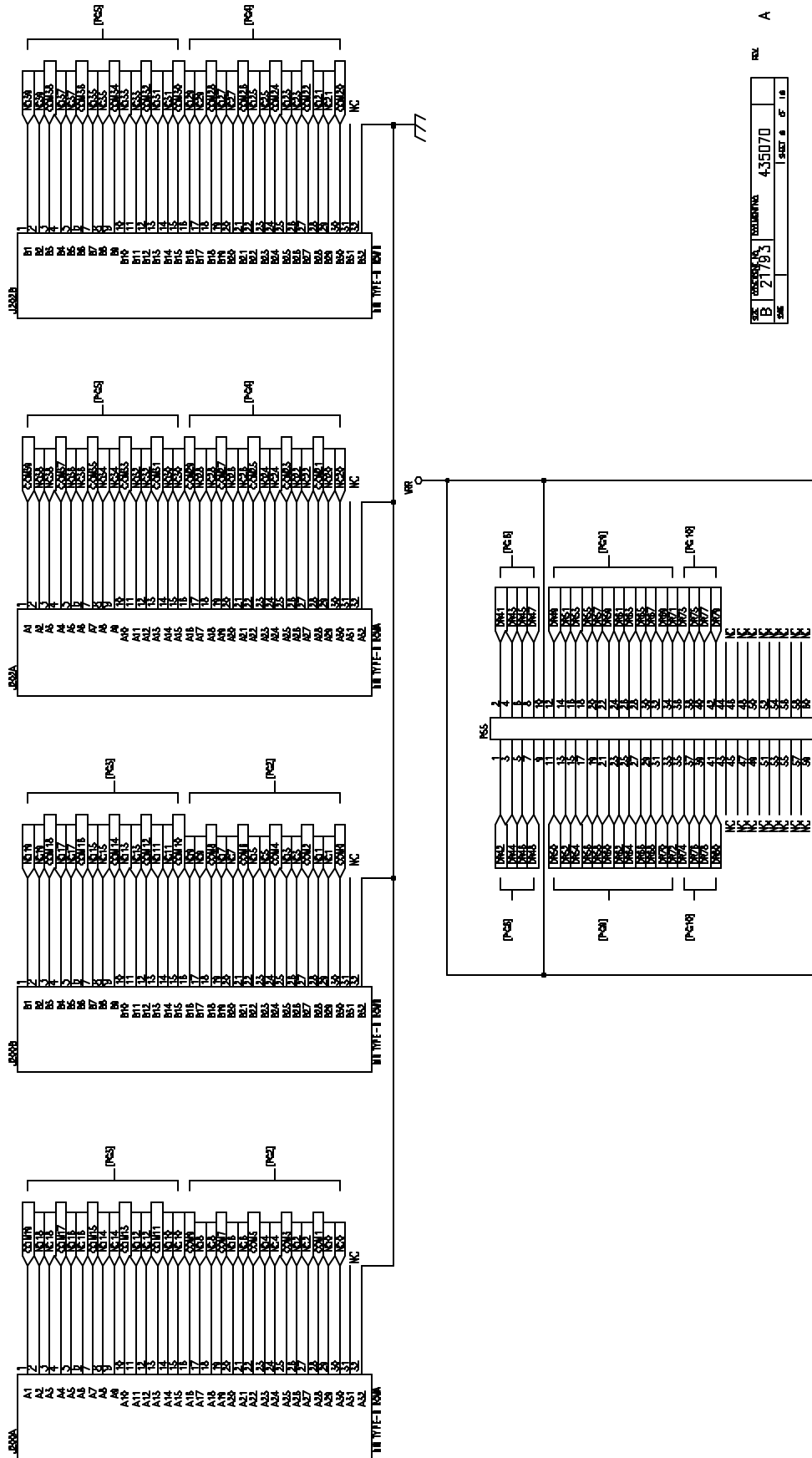


REV.	DESCRIPTION	REVISION NO.	435070
1	21793		
			SHEET 3 OF 14

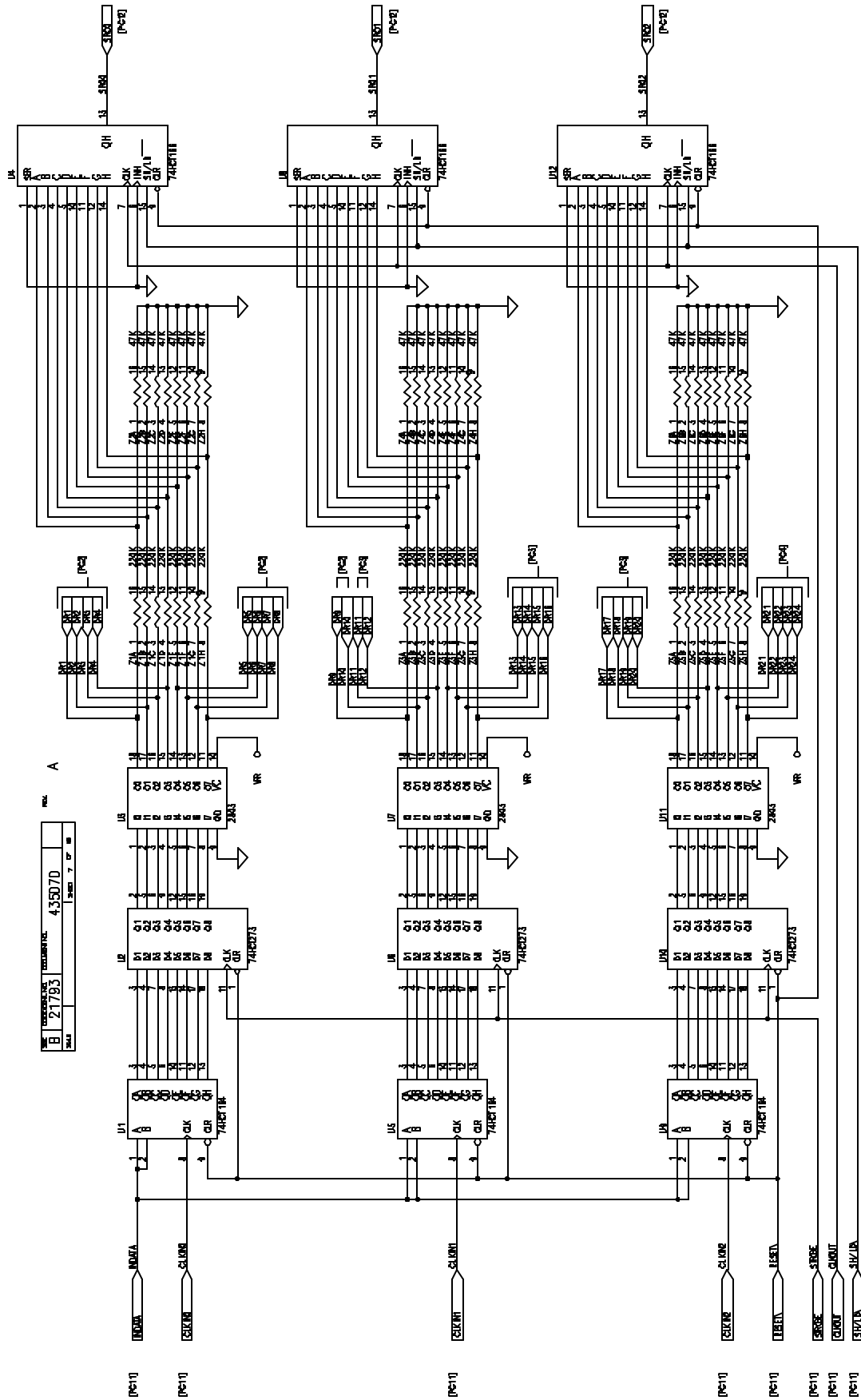




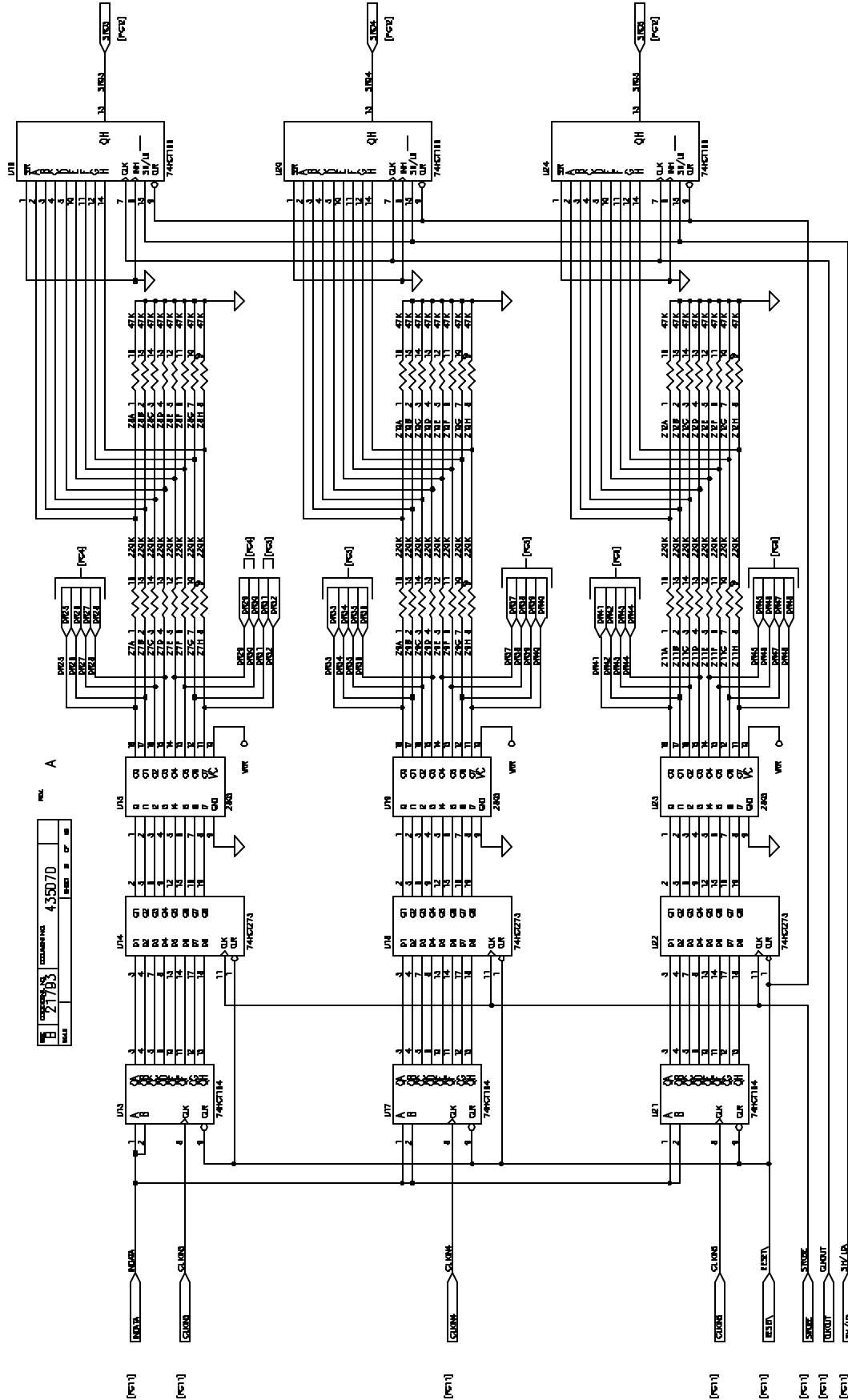
REV	DATE	DESCRIPTION	FIG. NO.
B	2/17/93		435070
SHEET 5 OF 18			

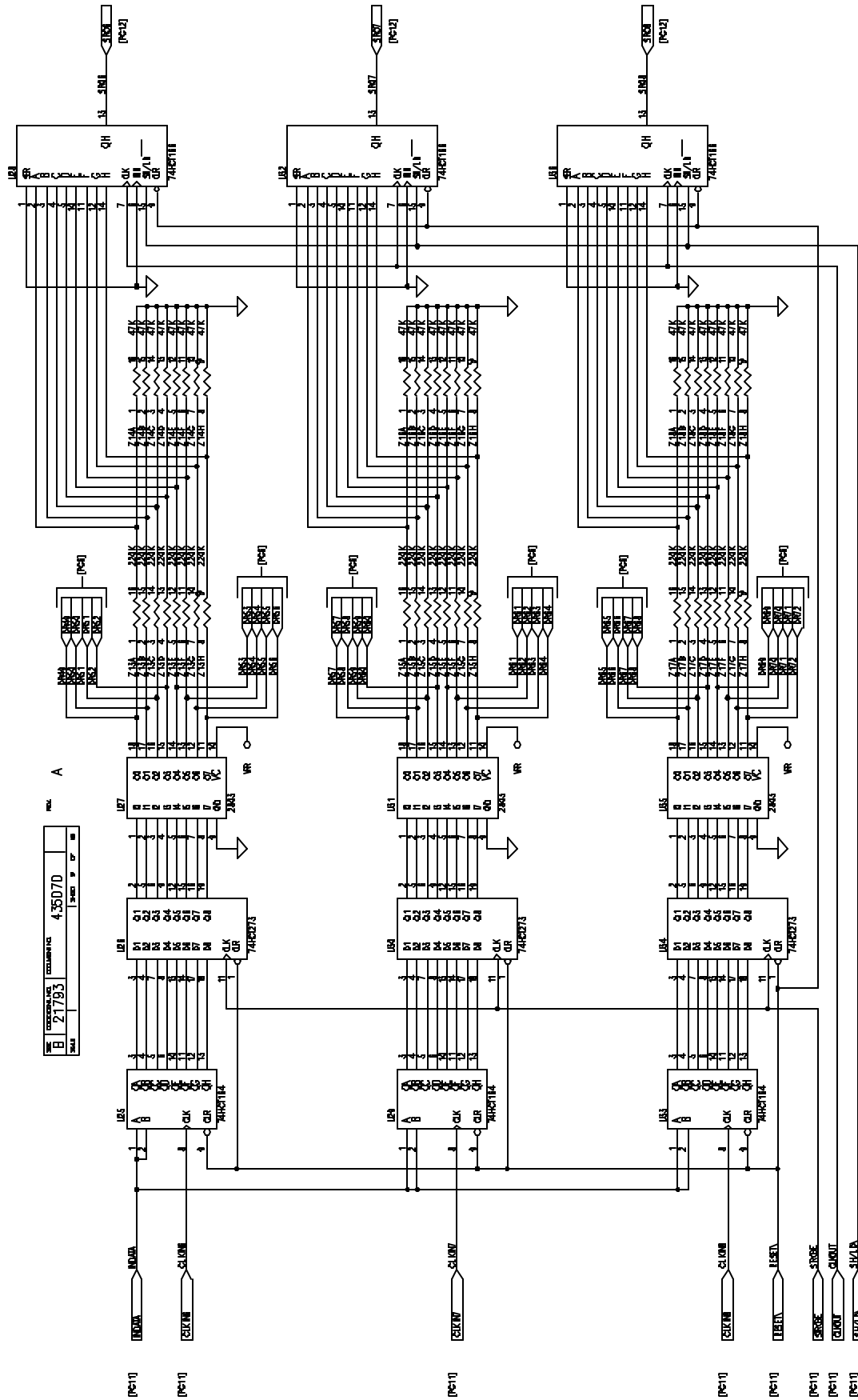


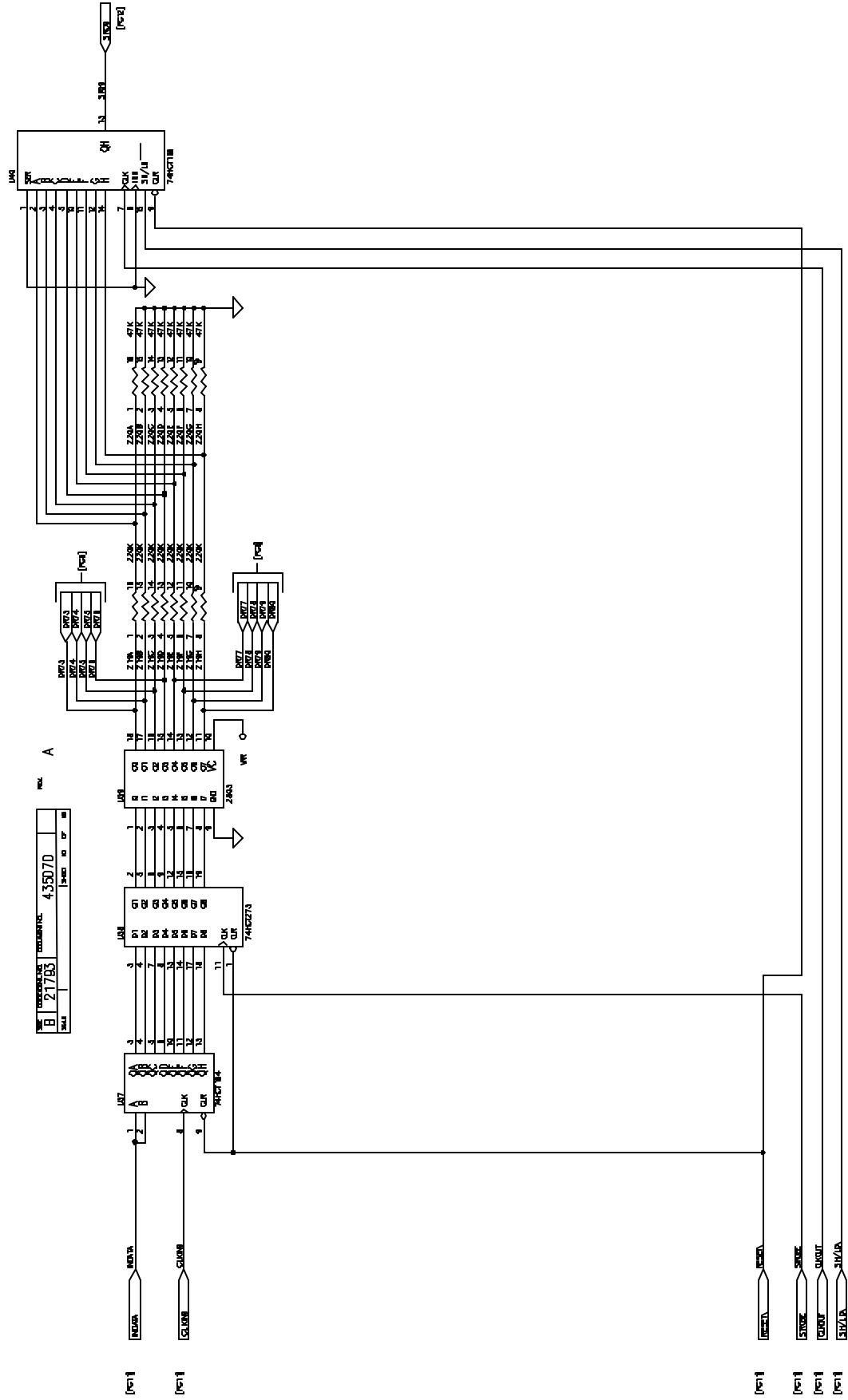
REV	DATE	BY	CHKD	NO.	DESCRIPTION
A					
B	2/19/93				4.35070
C					
D					
E					
F					
G					
H					
I					
J					
K					
L					
M					
N					
O					
P					
Q					
R					
S					
T					
U					
V					
W					
X					
Y					
Z					

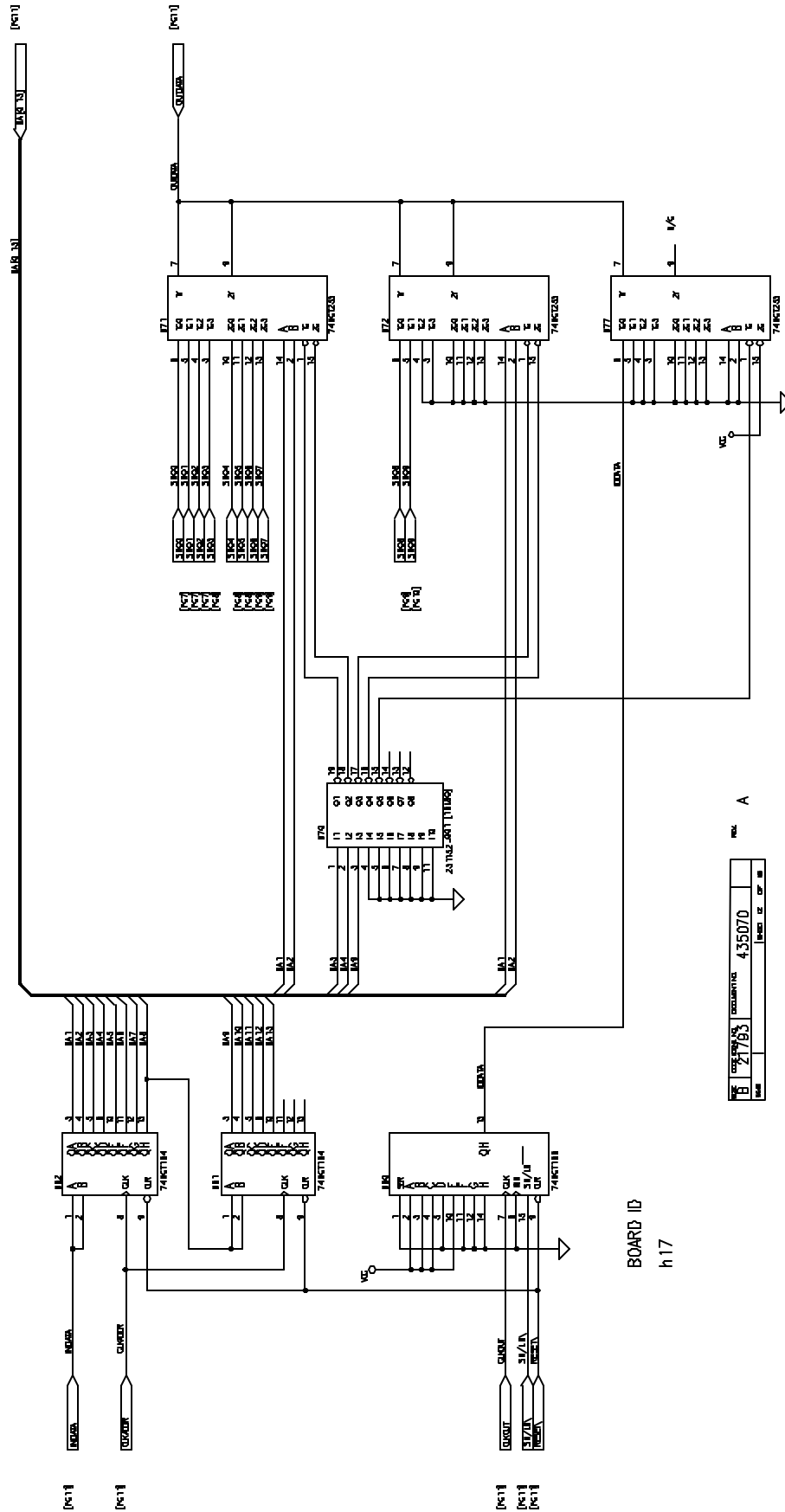


REV	DESCRIPTION	DATE
1	435070	1988 7 27
2	21793	

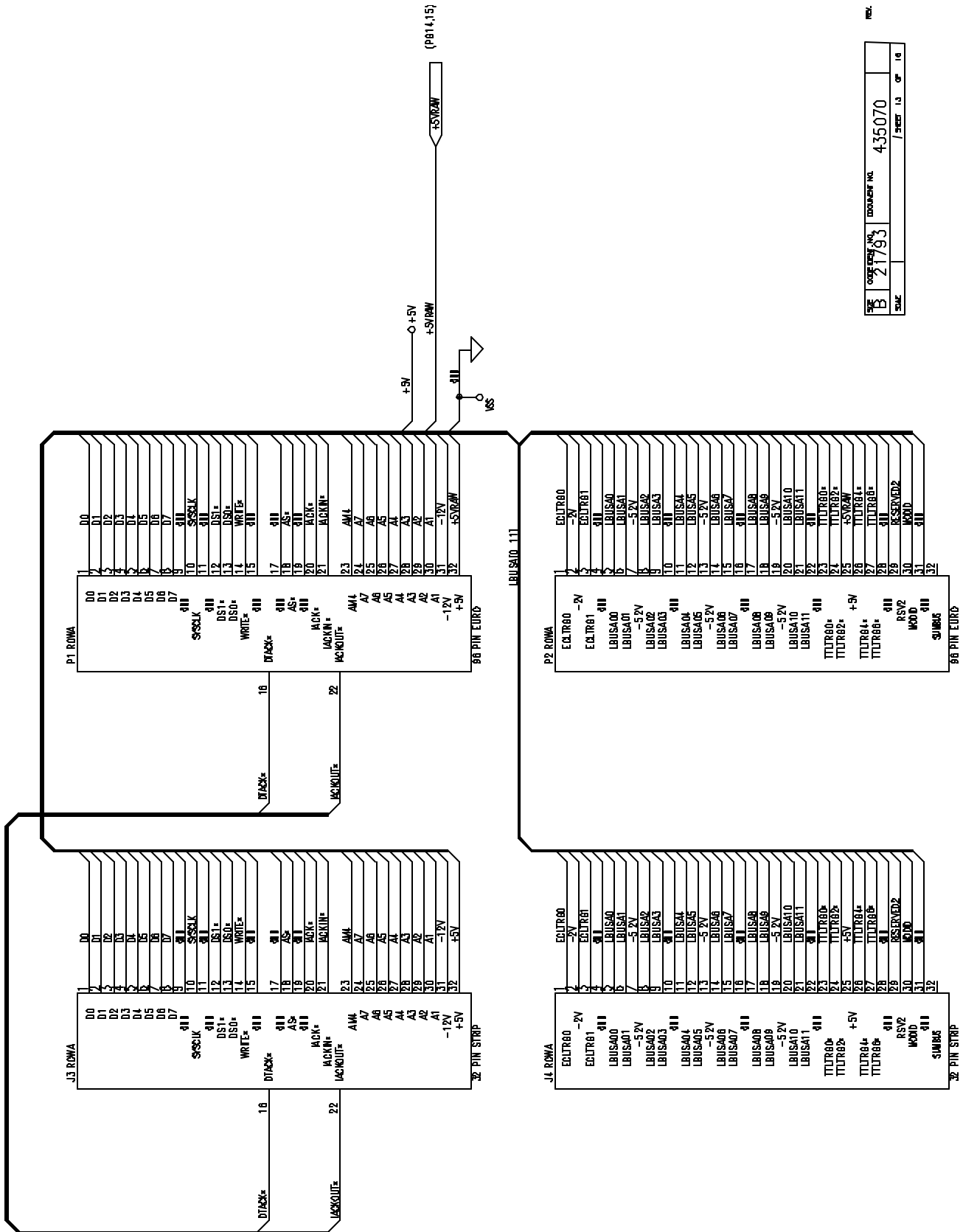




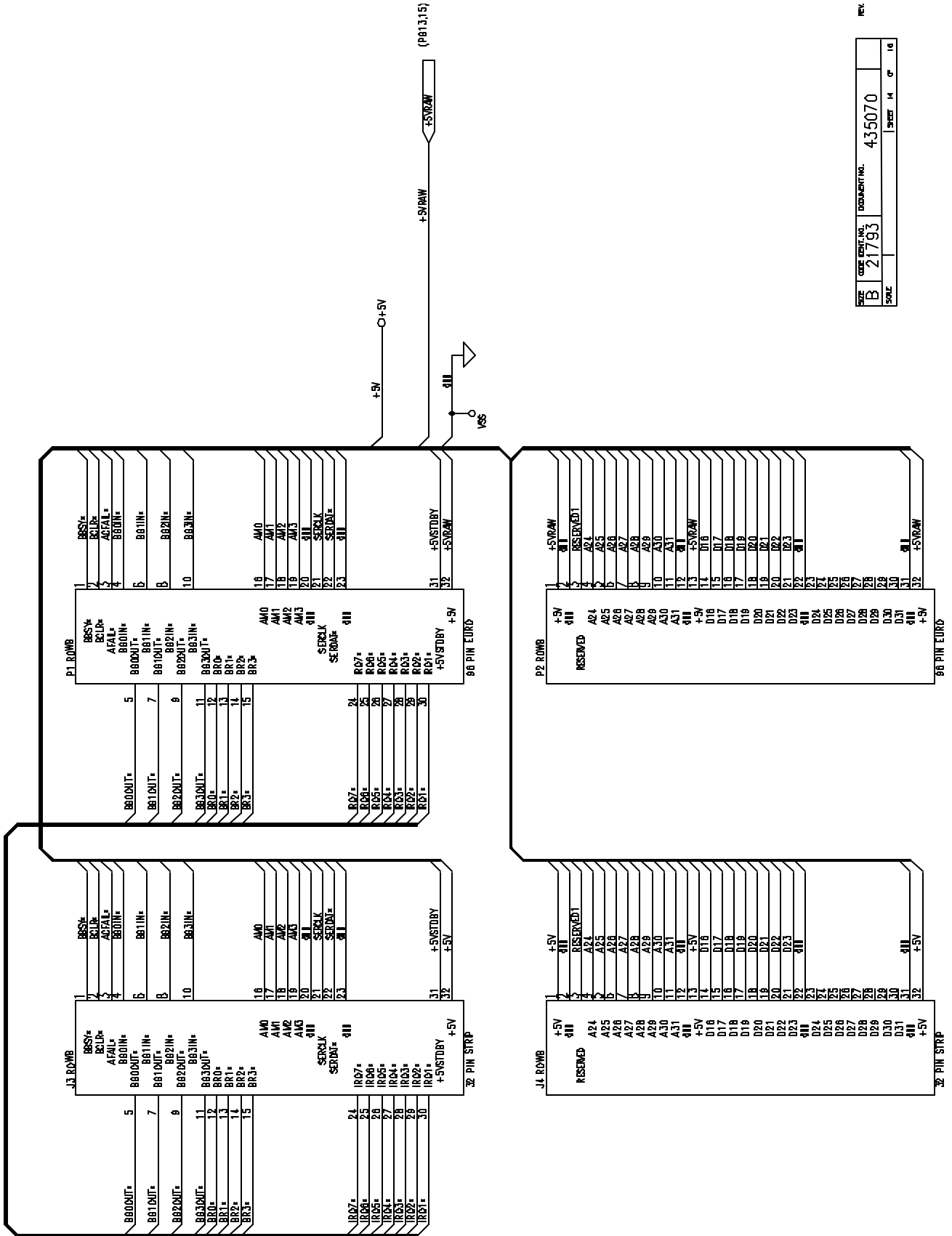




BOARD ID
h17

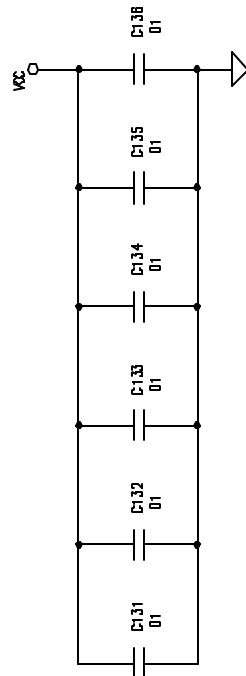
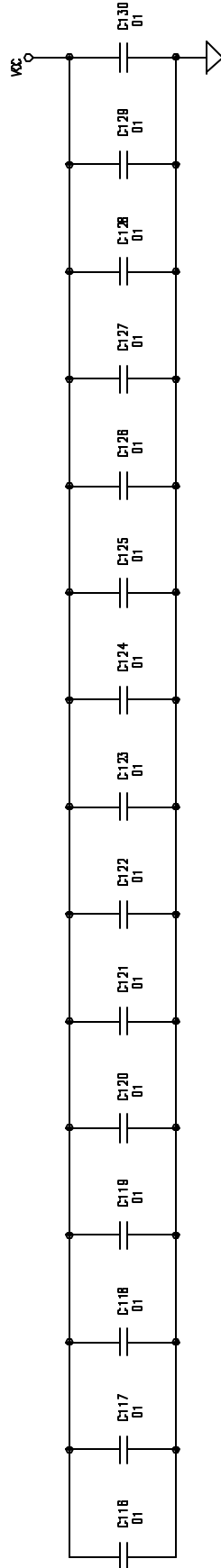
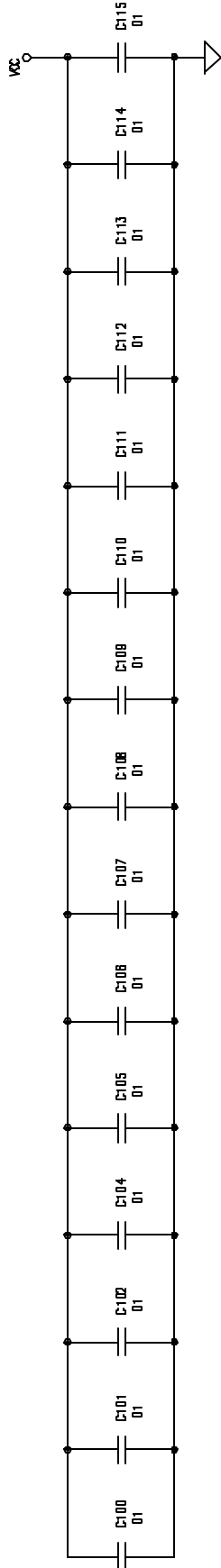


REV.	
DATE	4/30/07
ORDER NO.	21793
DRAWING NO.	435070
SHEET NO.	13 OF 16

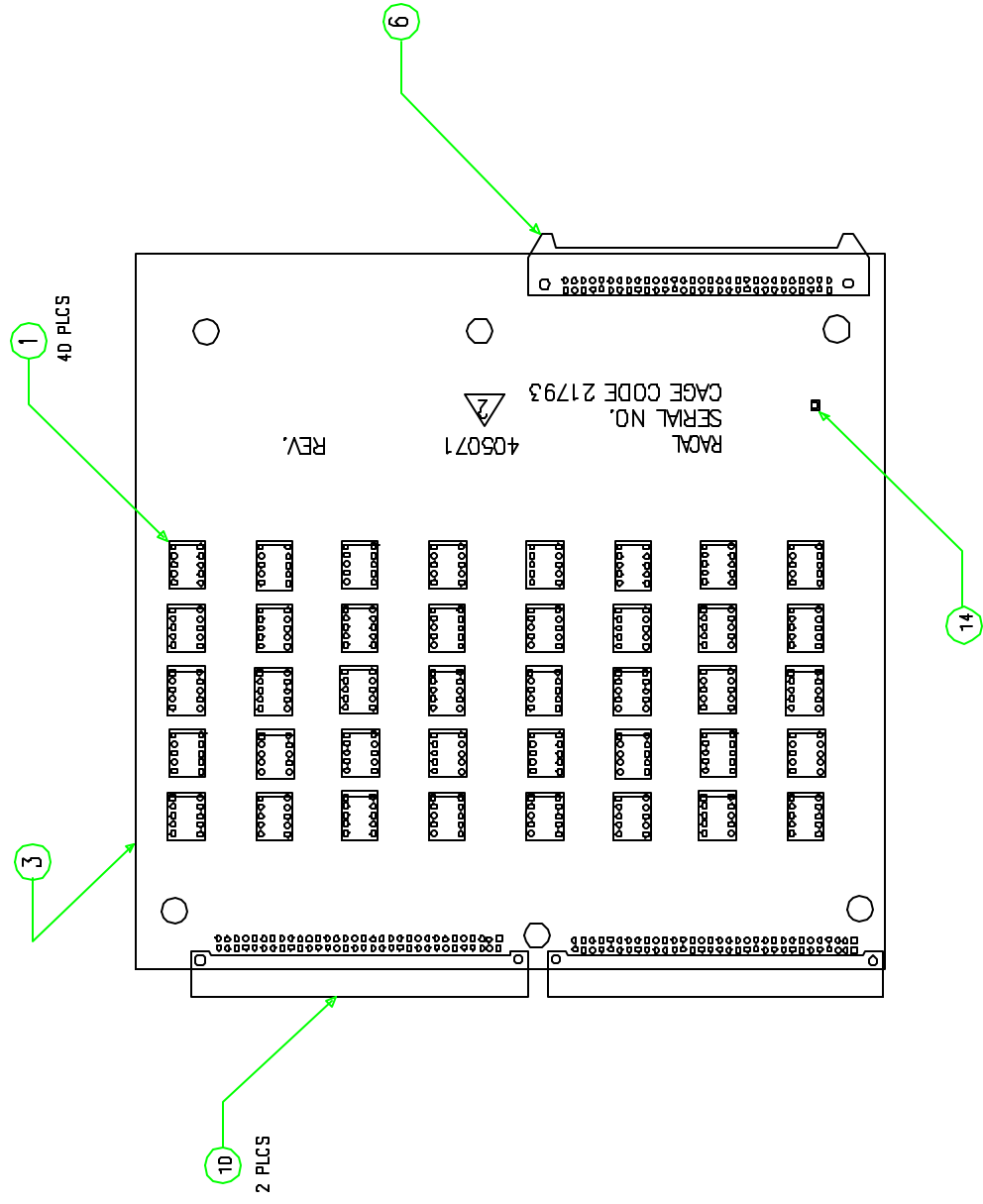


SIZE	CODE	REV. NO.	DOCUMENT NO.
B		21793	435070
FORM			SHEET 14 OF 16

REV.



REV			
DATE	21793	DOCUM. NO.	435070
SHEET	11	OF	11



COMPONENT SIDE

PROPRIETARY NOTICE
 THIS DOCUMENT AND THE TECHNICAL DATA HEREIN DISCLOSED ARE HEREBY MADE TO RACAL INSTRUMENTS, INC. IN FULL. NO PART OF THIS DOCUMENT IS TO BE REPRODUCED, COPIED, TRANSMITTED, OR DISCLOSED IN ANY MANNER WITHOUT THE WRITTEN PERMISSION OF RACAL INSTRUMENTS, INC. THIS INFORMATION IS THE PROPERTY OF RACAL INSTRUMENTS, INC. AND IS NOT TO BE DISCLOSED TO ANY OTHER PARTY WITHOUT THE WRITTEN PERMISSION OF RACAL INSTRUMENTS, INC. THIS INFORMATION IS THE PROPERTY OF RACAL INSTRUMENTS, INC. AND IS NOT TO BE DISCLOSED TO ANY OTHER PARTY WITHOUT THE WRITTEN PERMISSION OF RACAL INSTRUMENTS, INC.

RACAL Instruments, Inc. 4 Goodyear St., Irvine, Ca 92718-2002	
TITLE PCB ASSY, 1260-17D	
SIZE D	CODE BENT NO. 21793
SCALE	DOCUMENT NO. 405071
SHEET 1 OF 2	

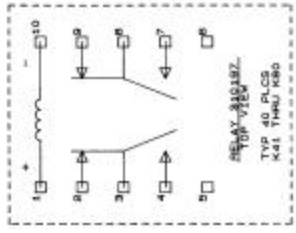
INK STAMP SERIAL NUMBER AND CURRENT REVISION ON COMPONENT SIDE APPROX. WHERE SHOWN.

1. REFERENCE SCHEMATIC 435071.



837P

REVISIONS				
LTR	DESCRIPTION	DRN	CHK	APPD
A	RELEASED PER DRN # 1518	2/19/93		



Revised 5-8-02

TP1
K60
JS04
HIGHEST
REF. DES.

CAD FILENAME & CURRENT REV. LTR FOR SHEETS 1 THRU 6:
 8071P1.RVA
 8071P2.RVA
 8071P3.RVA
 8071P4.RVA
 8071P5.RVA
 8071P6.RVA

* THIS DOCUMENT HAS BEEN REVISED AND BANNED US ON THE "LOCKED/NOT ETL" BASIS SYSTEM. ALL REVISIONS MADE WILL BE MADE ON THE "UNLOCKED/NOT ETL" SYSTEM IN ACCORDANCE WITH COMPANY POLICY FOR CAD DOCUMENTATION.

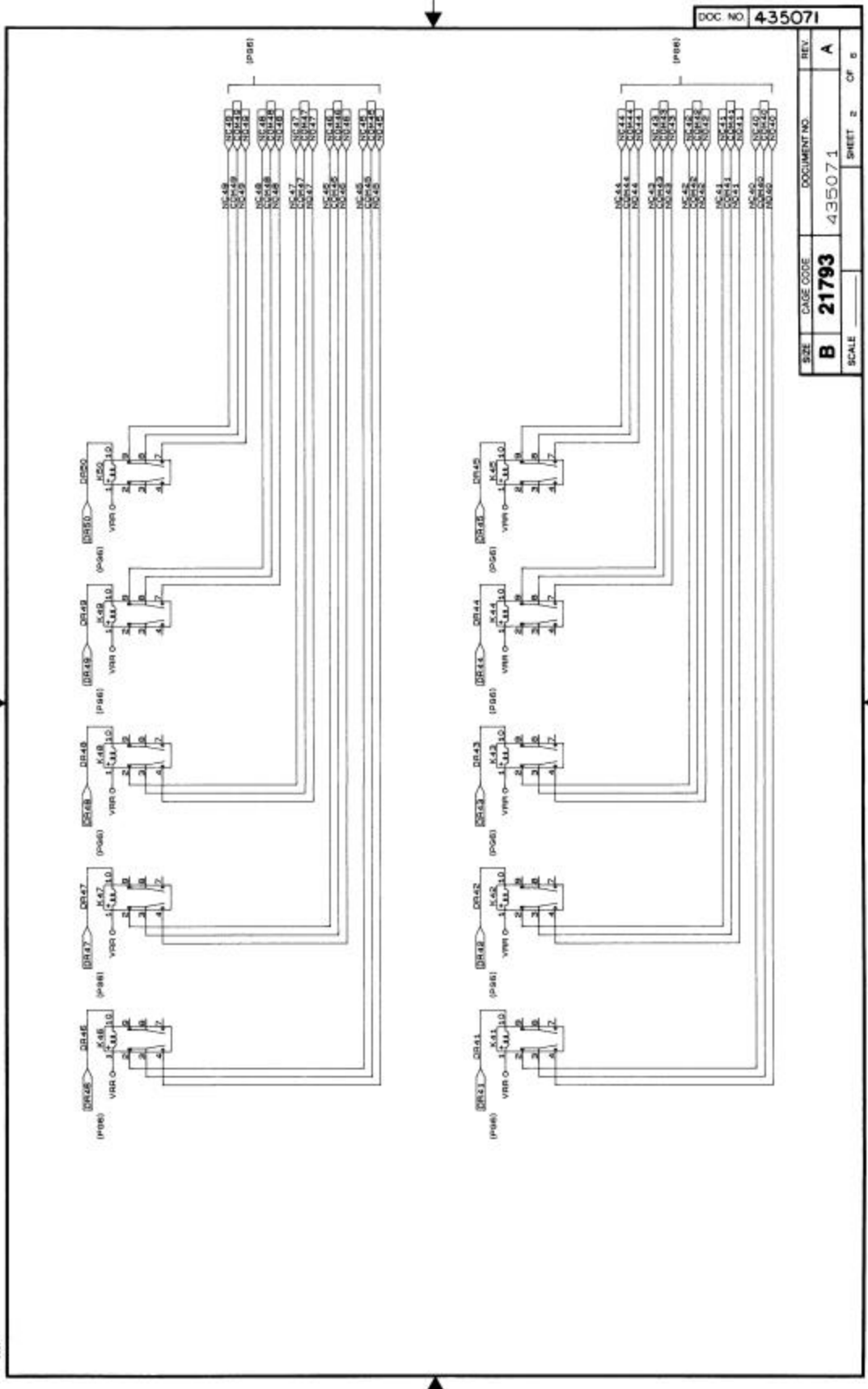
PROPRIETARY NOTICE
 THIS DOCUMENT AND THE TECHNICAL DATA HEREON CONTAINED ARE PROPRIETARY TO RACAL-DANA INSTRUMENTS INC. NO PART HEREOF IS TO BE REPRODUCED OR TRANSMITTED IN ANY FORM OR BY ANY MEANS, ELECTRONIC OR MECHANICAL, INCLUDING PHOTOCOPYING, RECORDING, OR BY ANY INFORMATION STORAGE AND RETRIEVAL SYSTEM, WITHOUT PERMISSION IN WRITING FROM RACAL-DANA INSTRUMENTS INC.

DOC NO	435071
RACAL-DANA Instruments Inc. 4 GOODYEAR, IRVINE, CALIFORNIA 92714	
DOCUMENT TITLE	
SCHEM, 1260-170	
SIZE	CASE CODE
B	21793
DOCUMENT NO	435071
REV	A
SCALE	SHEET 1 OF 8

UNLESS OTHERWISE SPECIFIED DIMENSIONS ARE IN INCHES AND INCLUDE THICKNESS OF PLATING	DRN	J. ROBINSON	80698
DECIMALS AS SHOWN	CHKS		
ANGLES DIMENSIONED TO CENTER	DESIGN		
1/16, 1/32, 1/64, 1/128	INS		
DIMENSIONS AND TOLERANCES PER ASME Y14.14	INS		
FINISH	INS		
MATERIAL	QA		
APPLICATION	USED ON	REF	QTY REQD
1260-170			
435071			

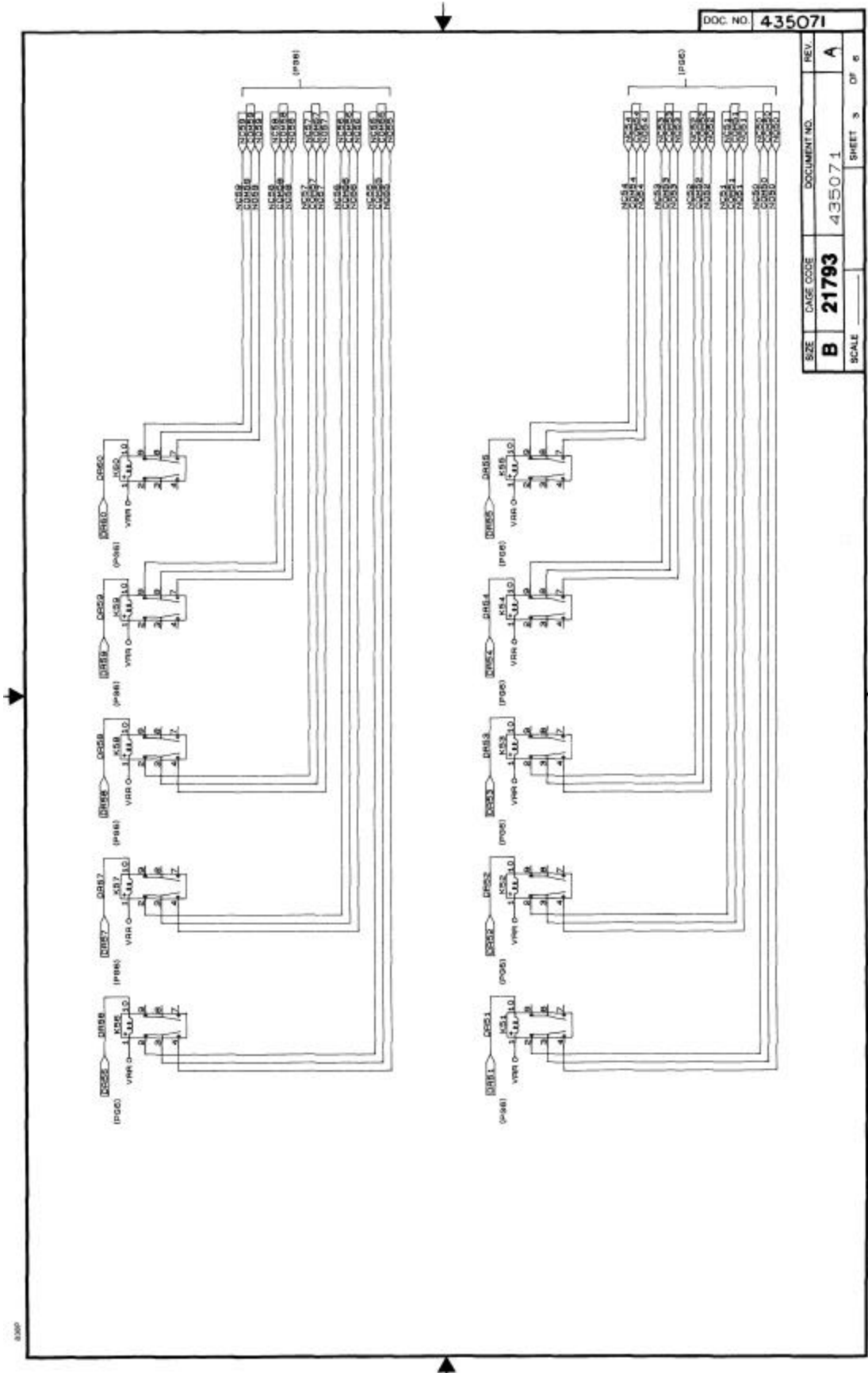
- 1. RELAYS K41 THRU K60 ARE RACAL-DANA P/N 310197.
ALL RELAYS SHOWN IN DE-ENERGIZED POSITION.

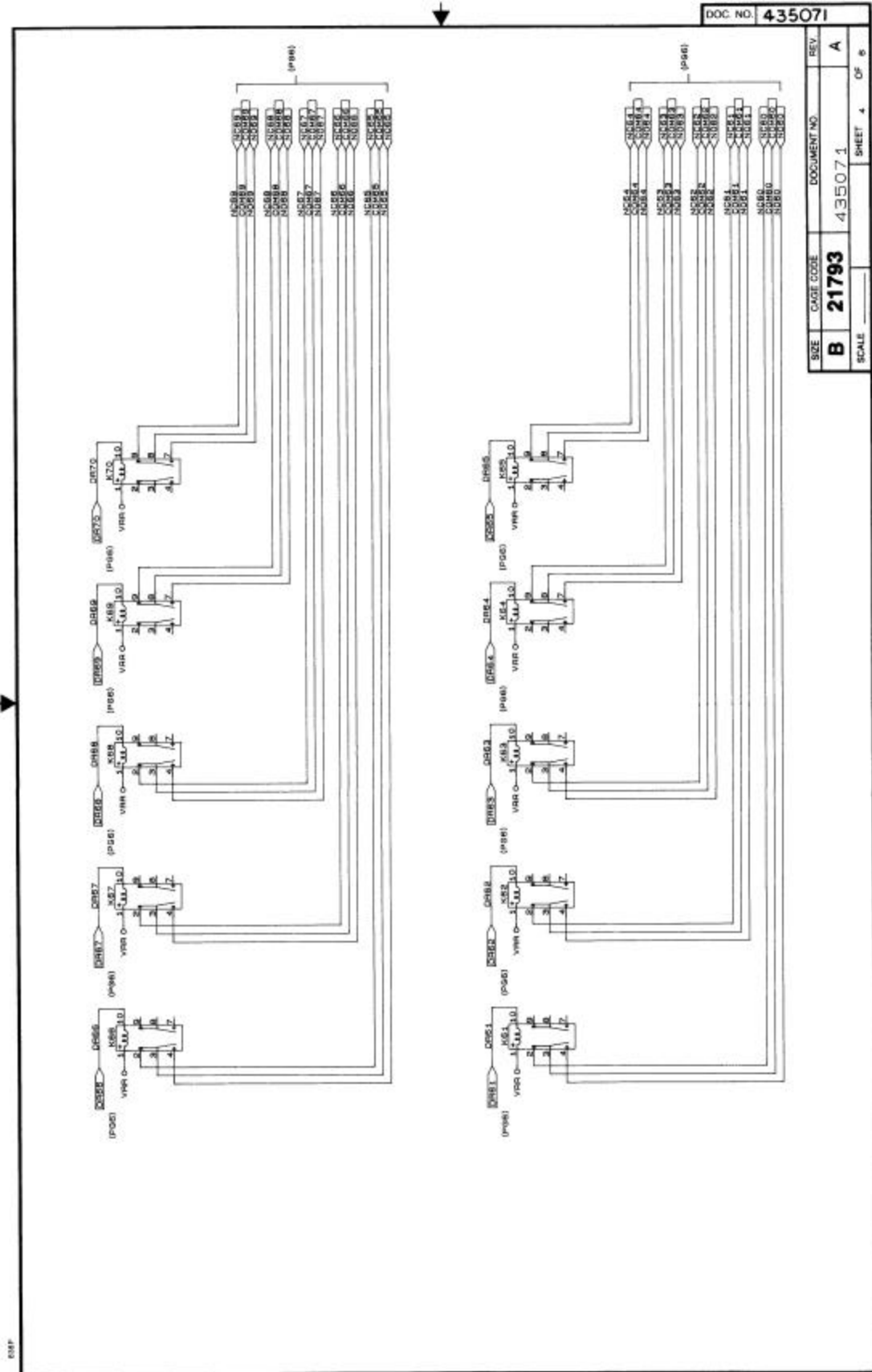
NOTES: UNLESS OTHERWISE SPECIFIED

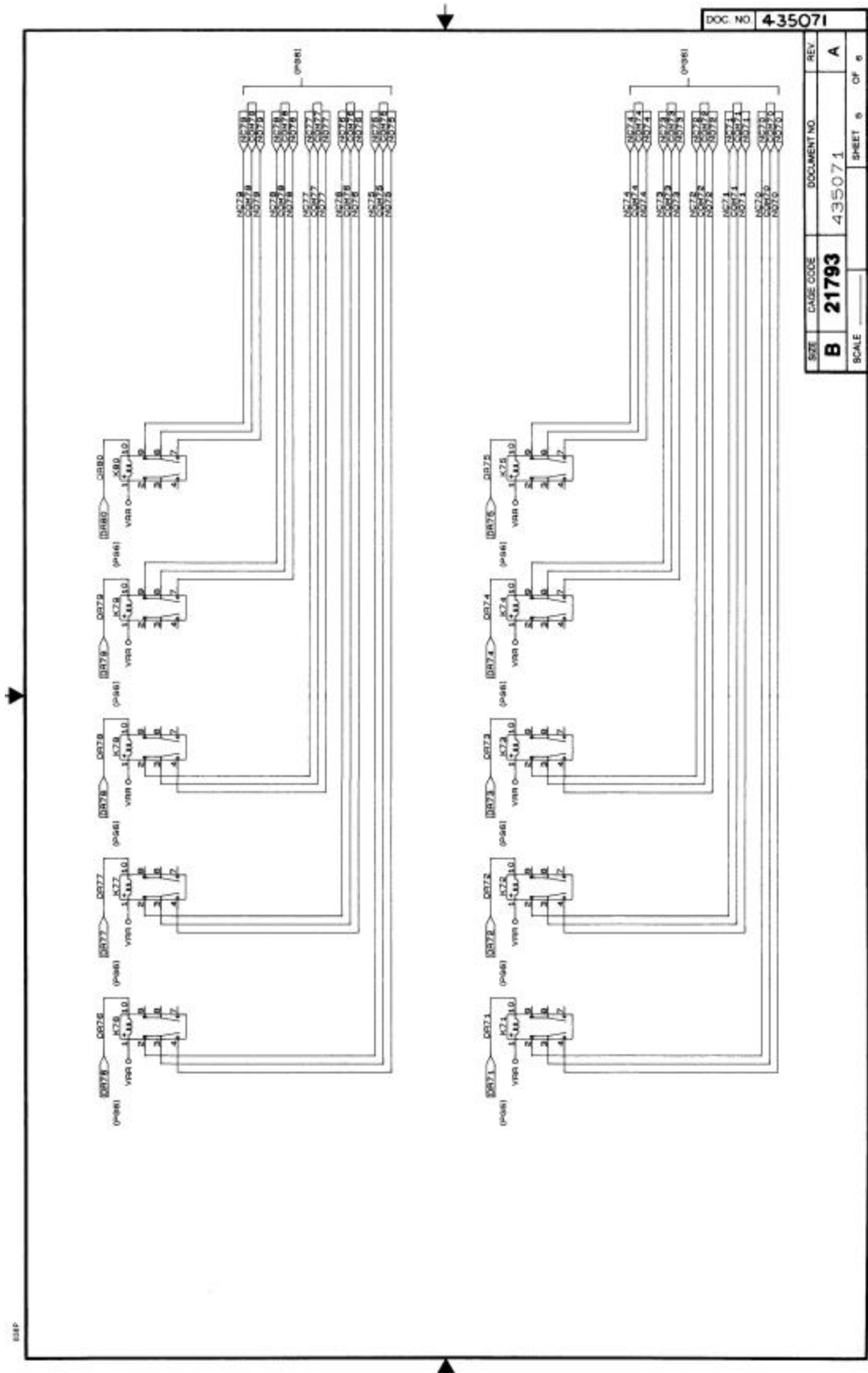


DOC NO 435071

SIZE	DWG CODE	DOCUMENT NO.	REV.
B	21793	435071	A
SCALE		SHEET 2	OF 8

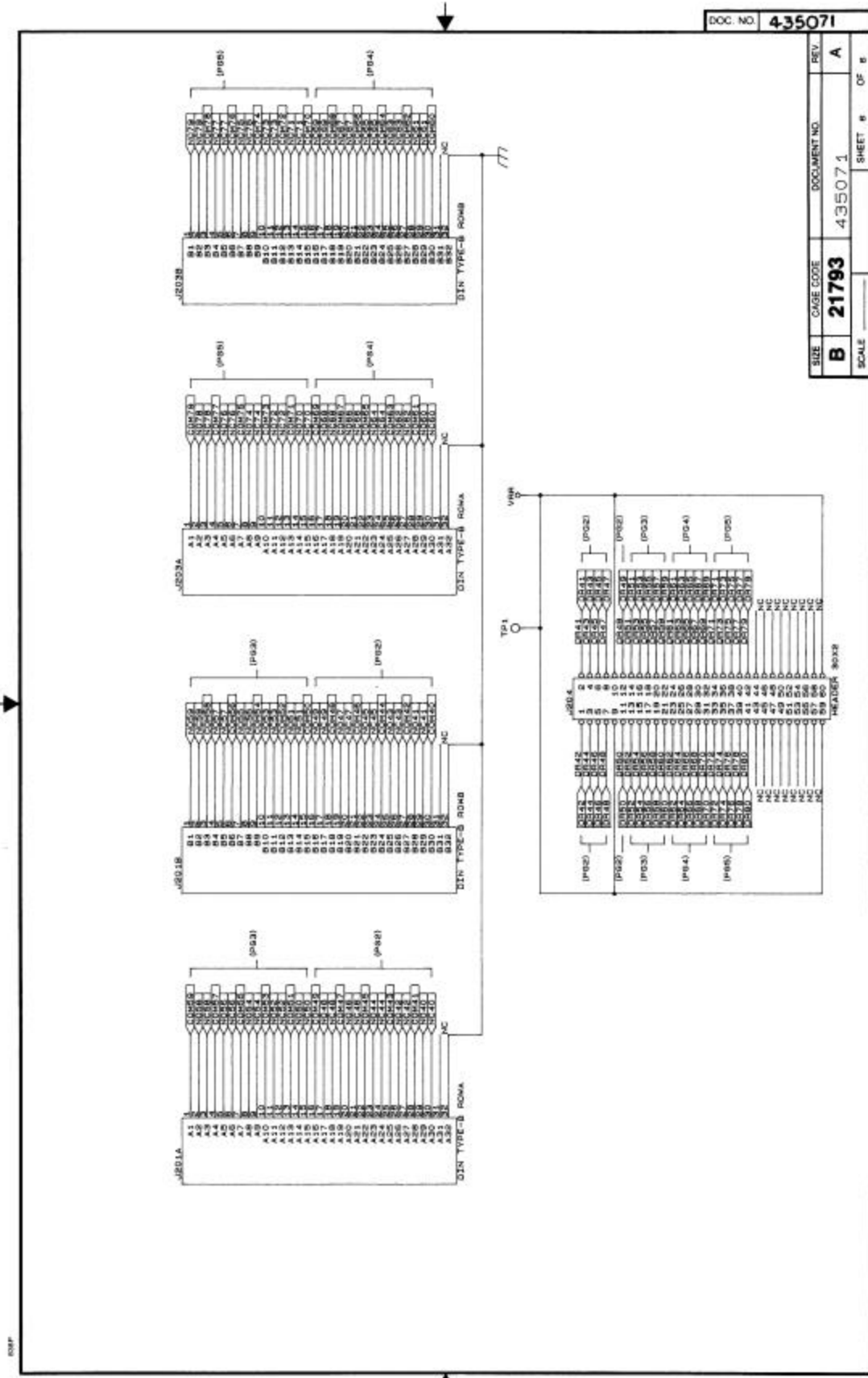






DOC. NO. 4-35071

SIZE	CAGE CODE	DOCUMENT NO.	REV.
B	21793	435071	A
SCALE		SHEET 8	OF 8



DOC. NO. 435071	
SIZE B	CAGE CODE 21793
DOCUMENT NO. 435071	REV. A
SCALE	SHEET # OF 6

This page was left intentionally blank.

Chapter 5

PARTS LIST

407165	Final Assy, 1260-17 (IDC Connectors)	5-2
407165	Final Assy, 1260-17 (IDC Connectors) Rev. D	5-3
404975-002	Shipping Kit, 1260-17 (IDC Connectors).....	5-4
407165-001	Final Assy, 1260-17A (Crimp Connectors)	5-5
407165-001	Final Assy, 1260-17A (Crimp Connectors) Rev. D	5-6
404975-003	Shipping Kit, 1260-17A (Crimp Connectors).....	5-7
405070	PCB Assy, 1260-17.....	5-8
405070	PCB Assy, 1260-17, Rev B.....	5-9
405071	PCB Assy, 1260-17D	5-10
	List of Suppliers	5-11

407165 - FINAL ASSY., 1260-17

REF DESIG	RACAL P/N	DESCRIPTION	FSC	MANUFACTURER'S P/N
(1)1	405070	PCB ASSY, 1260-17	21793	405070
(2)1	405071	PCB ASSY, 1260-17D	21793	405071
(5)1	455901	PANEL, RIGHT SIDE	21793	455901
(6)1	455779-003	PANEL, SIDE, LEFT	21793	455779-003
(7)1	455781	PANEL, REAR, SINGLE	21793	455781
(8)1	455784-001	PANEL, VXI TOP	21793	455784-001
(9)1	455784-002	PANEL, VXI BOTTOM	21793	455784-002
(10)1	455814-002	PANEL, FRONT	21793	455814-002
(22)1	611264	HANDLE, EXTRACTOR, BOTTOM	62559	20817-327
(23)1	611265	HANDLE, EXTRACTOR, TOP	62559	20817-328
(24)0.5	611266	MOUNTING HARDWARE, HANDLE	62559	21100-745
(25)32	615539	SCREW, PFH, 4-40X. 125	-	-
(27)2	616405	SCREW, PFH, M2.5-.45 X 12	-	-
(28)8	616480	SCREW, PFH, 4-40 X .375	-	-
(29)7	616251	SCREW, PPH, SEMS ASSY, 4-40X.250	78189	SEMS W/SQ CONE WA.
(32)1	921212-028	LABEL, VXI, 1260-17	21793	921212-
(33)A/R	920962	LOCTITE, 242, MED STR.	05972	272
(35)1	921059	LABEL, CAUTION, STATIC	21793	921059
(36)1	921148-001	LABEL SET, VXI	21793	921148-001
(37)1	921309	LABEL, VXI SWITCH ID	21793	921309
(38)1	404975-002	SHIPPING KIT, 1260-17	21793	404975-002

407165 - FINAL ASSY., 1260-17

REF DESIG	RACAL P/N	DESCRIPTION	FSC	MANUFACTURER'S P/N
{1}1	405070	PCB ASSY, 1260-17	21793	405070
(3)1	405071	PCB ASSY, 1260-17D	21793	405071
(5)1	404975-002	SHIPPING KIT, 1260-17	21793	404975-002
{9}1	455814-002	PANEL, FRONT	21793	455814-002
{11}1	456238-002	PANEL, RIGHT, 1260 SERIES	21793	456238-002
{13}1	456239-002	PANEL, LEFT, 1260 SERIES	21793	456239-002
{15}1	611264	HANDLE, EXTRACTOR, BOTTOM	62559	20817-327
{16}1	611265	HANDLE, EXTRACTOR, TOP	62559	20817-328
{17}.5	611266	MOUNTING HARDWARE, HANDLE	62559	21100-745
(19)7	616251	SCREW, PPH, SEMS ASSY, 4-40x.250	78189	SEMS W/SQ CONE WA.
(21)2	616405	SCREW, PFH, M2.5-.45 X 12		
(24)6	616414	SCREW, PFL, M3X.SOXS		
(29)1	921059	LABEL, CAUTION, STATIC	21793	921059
(31)1	921148-001	LABEL SET VXI	21793	921148-001
(35)1	921309	LABEL, VXI SWITCH ID	21793	921309
(37)1	921423	LABEL, CE-96	21793	921423

404975-002 - SHIPPING KIT, 1260-17

REF DESIG	RACAL P/N	DESCRIPTION	FSC	MANUFACTURER'S P/N
(1)2	455540	KEY, LOCKOUT, TTL, A/C	21793	455540
(2)2	455541	KEY, LOCKOUT, TTL, A/C	21793	455541
(3)2	455542	KEY, LOCKOUT, TTL, A/C	21793	455542
(6)4	602004	CONNECTOR, TYPE B, FEMALE, 64-PIN	06383	120-064-455
(7)4	602004-001	STRAIN RELIEF, WITH HANDLE	06383	120-000-032
(8)4	602004-002	PULL TAB, SOCKET, 2.5W	06383	LPT-50
(11)3	615013	SCREW, PPF, 2-56 X .188	-	-
(13)1	980673-013	MODULE MANUAL, 1260-17	21793	980673-013

407165-001 - FINAL ASSY., 1260-17A

REF DESIG	RACAL P/N	DESCRIPTION	FSC	MANUFACTURER'S P/N
(1)1	405070	PCB ASSY, 1260-17	21793	405070
(2)1	405071	PCB ASSY, 1260-17D	21793	405071
(5)1	455901	PANEL, RIGHT SIDE	21793	455901
(6)1	455779-003	PANEL, SIDE, LEFT	21793	455779-003
(7)1	455781	PANEL, REAR, SINGLE	21793	455781
(8)1	455784-001	PANEL, VXI TOP	21793	455784-001
(9)1	455784-002	PANEL, VXI BOTTOM	21793	455784-002
(10)1	455814-002	PANEL, FRONT	21793	455814-002
(22)1	611264	HANDLE, EXTRACTOR, BOTTOM	62559	20817-327
(23)1	611265	HANDLE, EXTRACTOR, TOP	62559	20817-328
(24)0.5	611266	MOUNTING HARDWARE, HANDLE	62559	21100-745
(25)32	615539	SCREW, PFH, 4-40X. 125	-	-
(27)2	616405	SCREW, PFH, M2.5-.45 X 12		
(28)8	616480	SCREW, PFH, 4-40 X .375	-	-
(29)7	616251	SCREW, PPH, SEMS ASSY, 4-40X.250	78189	SEMS W/SQ CONE WA.
(32)1	921212-028	LABEL, VXI, 1260-17	21793	921212-028
(33)A/R	920962	LOCTITE, 242, MED STR.	05972	272
(35)1	921059	LABEL, CAUTION, STATIC	21793	921059
(36)1	921148-001	LABEL SET, VXI	21793	921148-001
(37)1	921309	LABEL, VXI SWITCH ID	21793	921309
(39)1	404975-003	SHIPPING KIT, 1260-17A	21793	404975-003

407165-001 - FINAL ASSY., 1260-17A (REV. D)

REF DESIG	RACAL P/N	DESCRIPTION	FSC	MANUFACTURER'S P/N
(1)1	405070	PCB ASSY, 1260-17	21793	405070
(3)1	405071	PCB ASSY, 1260-17D	21793	405071
(6)1	404975-003	SHIPPING KIT, 1260-17A	21793	404975-003
(9)1	455814-002	PANEL, FRONT	21793	455814-002
(11)1	456238-002	PANEL, RIGHT, 1260 SERIES	21793	456238-002
(13)1	456239-002	PANEL, LEFT, 1260 SERIES	21793	456239-002
(15)1	611264	HANDLE, EXTRACTOR, BOTTOM	62559	20817-327
(16)1	611265	HANDLE, EXTRACTOR, TOP	62559	20817-328
(17).5	611266	MOUNTING HARDWARE, HANDLE	62559	21100-745
(19)7	616251	SCREW, PPH, SEMS ASSY, 4-40X.250	78189	W/SQ CONE WA.
(21)2	616405	SCREW, PFH, M2.5-.45 X 12	-	-
(24)6	616414	SCREW, PFL, M3X.50X5	-	-
(29)1	921059	LABEL, CAUTION, STATIC	21793	921059
(31)1	921148-001	LABEL SET VXI	21793	921148-001
(35)1	921309	LABEL, VXI SWITCH ID	21793	921309
(37)1	921423	LABEL, CE-96	21793	921423

User Manual 1260-17

404975-003- SHIPPING, KIT 1260-17A

REF DESIG	RACAL P/N	DESCRIPTION	FSC	MANUFACTURER'S P/N
(1)2	455540	KEY LOCKOUT, TTL, A/C	21793	455540
(2)2	455541	KEY, LOCKOUT, TTL, A/C	21793	455541
(3)2	455542	KEY, LOCKOUT, TTL, A/C	21793	455542
{6}4	602159-064	CONNECTOR HOUSING, 64-PIN, DIN-B, PLUG	0G8R9	09020643214
(10)256	602159-900	CONTACT, CRIMP, SKT, 28-24 AWG	0G8R9	09020008484
(11)3	615013	SCREW, PPF, 2-56 X .188	-	-
{13}1	980673-013	MODULE MANUAL, 1260-17	21793	980673-013

405070 - PCB ASSY., 1260-17

REF DESIG	RACAL P/N	DESCRIPTION	FSC	MANUFACTURER'S P/N
C1-C4	110126	CAP, TANTA, 6.8UP, 35V, 20 PERCENT	05397	T355F685M035A5
C100-C102	R-21-1801	CAP, CHIP, 10 NP	95275	VJ1206Y103MF
C103	110165	CAP, TANTA, .15 MF, 35V, 10PCT	05397	T3SSA1S4KO3SAS
C104-C140	R-21-1801	CAP, CHIP, 10 NP	95275	VJ1206Y103MF
J3	601925	CONNECTOR, PCB, RECEPT, 3 ROW, 96P	52072	618008
J4	601925	CONNECTOR, PCB, RECEPT, 3 ROW, 96P	52072	618008
J200	602005	CONNECTOR, DIN TYPE B, MALE, 64 PIN	06383	100-064033B
J202	602005	CONNECTOR, DIN TYPE B, MALE, 64 PIN	06383	100-064033B
K1-K40	310197	RELAY, 2 FORM C	61529	TO2E-24V
L1	100164	CAP, FEED-THRU,80OPF, 50V	00779	842448-2
L2	310193	CHOKE, SHIELDED, SUH	91637	IH-5-5-10
L3	310193	CHOKE, SHIELDED, SUH	91637	IH-5-5-10
L4	100164	CAP, FEED-THRU,80OPF, SOV	00779	842448-2
LS	600245	JUMPER, INSULATED	52210	L-2007-1
P1	601675-001	CONNECTOR, EUROCARD, 96 PIN MOD.	21793	601675-001
P2	601675-001	CONNECTOR, EUROCARD, 96 PIN MOD.	21793	601675-001
P55	602023	CABLE ASSY., 1DC 60 PIN	21793	602023
SW1-5W3	601969	SWITCH, DIP 6 POS, LOW PROFILE	65832	K4065
TP1	601197	POST, TEST, .025 SQ	00779	6-87022-6
U1	231131	IC, DIGITAL, SHIFT REGISTER	18324	PC74HCT164D
U2	231130	IC, DIGITAL, FLIP FLOP	18324	PC74HC273
U3	231098	IC, SOIC TRANSISTOR	56289	ULN-2803LW
U4	231120	IC, 8-BIT, PARALLEL/SERIAL OUT S.R.	18324	74HCT166D
U5	231131	IC, DIGITAL, SHIFT REGISTER	18324	PC74HCT164D
U6	231130	IC, DIGITAL, FLIP FLOP	18324	PC74HC273
U7	231098	IC, SOIC TRANSISTOR	56289	ULN-2 8 03LW
U8	231120	IC, 8-BIT, PARALLEL/SERIAL OUT S.R.	18324	74HCT166D
U9	231131	IC, DIGITAL, SHIFT REGISTER	18324	PC74HCT164D
U10	231130	IC, DIGITAL, FLIP FLOP	18324	PC74HC273
U11	231098	IC, SOIC TRANSISTOR	56289	ULN-2 803LW
U12	231120	IC, 8-BIT, PARALLEL/SERIAL OUT S.R.	18324	74HCT166D
U13	231131	IC, DIGITAL, SHIFT REGISTER	18324	PC74HCT164D
U14	231130	IC, DIGITAL, FLIP FLOP	18324	PC74HC273
U1S	231098	IC, SOIC TRANSISTOR	56289	ULN-2803LW
U16	231120	IC, 8-BIT, PARALLEL/SERIAL OUT S.R.	18324	74HCT166D
U17	231131	IC, DIGITAL, SHIFT REGISTER	18324	PC74HCT164D
U18	231130	IC, DIGITAL, FLIP FLOP	18324	PC74HC273
U19	231098	IC, SOIC TRANSISTOR	56289	ULN-2803LW
U20	231120	IC, 8-BIT, PARALLEL/SERIAL OUT S.R.	18324	74HCT166D
U21	231131	IC, DIGITAL, SHIFT REGISTER	18324	PC74HCT164D
U22	231130	IC, DIGITAL, FLIP FLOP	18324	PC74HC273
U23	231098	IC, SOIC TRANSISTOR	56289	ULN-2803LW
U24	231120	IC, 8-BIT, PARALLEL/SERIAL OUT S.R.	18324	74HCT166D
U25	231131	IC, DIGITAL, SHIFT REGISTER	18324	PC74HCT164D
U26	231130	IC, DIGITAL, FLIP FLOP	18324	PC74HC273
U27	231098	IC, SOIC TRANSISTOR	56289	ULN-2 803LW
U28	231120	IC, 8-BIT, PARALLEL/SERIAL OUT S.R.	18324	74HCT166D
U29	231131	IC, DIGITAL, SHIFT REGISTER	18324	PC74HCT164D
U30	231130	IC, DIGITAL, FLIP FLOP	18324	PC74HC273
U31	231098	IC, SOIC TRANSISTOR	56289	ULN-2803LW
U32	231120	IC, 8-BIT, PARALLEL/SERIAL OUT S.R.	18324	74HCT166D
U33	231131	IC, DIGITAL, SHIFT REGISTER	18324	PC74HCT164D
U34	231130	IC, DIGITAL, FLIP FLOP	18324	PC74HC273
U35	231098	IC, SOIC TRANSISTOR	56289	ULN-2803LW
U36	231120	IC, 8-BIT, PARALLEL/SERIAL OUT S.R.	18324	74HCT166D
U37	231131	IC, DIGITAL, SHIFT REGISTER	18324	PC74HCT164D
U38	231130	IC, DIGITAL, FLIP FLOP	18324	PC74HC273
U39	231098	IC, SOIC TRANSISTOR	56289	ULN-2803LW
U40	231120	IC, 8-BIT, PARALLEL/SERIAL OUT S.R.	18324	74HCT166D

User Manual 1260-17

405070 - PCB ASSY., 1260-17

REF DESIG	RACAL P/N	DESCRIPTION	FSC	MANUFACTURER'S P/N
U53	231153	IC, PROGRAMMED PLA	21793	231153
U54	231094	IC, DEMUX DECODER	18324	N74LS138D
U55	231094	IC, DEMUX DECODER	18324	N74LS138D
U56	231135	IC, DIGITAL, 4-BIT COMPARATOR	18324	PC74HCT8SD
U57	231093	IC, QUAD COMPARATOR	04713	LM339D
U60	231120	IC, 8-BIT, PARALLEL/SERIAL OUT S.R.	18324	74HCT166D
U61	231131	IC, DIGITAL, SHIFT REGISTER	18324	PC74HCT164D
U62	231131	IC, DIGITAL, SHIFT REGISTER	18324	PC74HCT164D
U70	231152-001	IC, DIGITAL 16L8, PAL	21793	231152-001
U71	231147	IC, MULTIPLEXER	04713	74HC253D
U72	231147	IC, MULTIPLEXER	04713	74HC253D
U73	231096	IC, QUAD DIFF RECEIVER	01295	AM26LS32ACD
U74	231096	IC, QUAD DIFF RECEIVER	01295	AM26LS32ACD
U75	231125	IC, DIGITAL, LINE DRIVER	27014	D526L531MN
U76	231154	IC, PROGRAMMED PLA	21793	231154
U77	231147	IC, MULTIPLEXER	04713	74HC253D
Z1	080119	RES NETWORK, 220K	91637	SOMC-1603-224K
Z2	080117	RES NETWORK, 16P8R, 47K	73138	628-AL-473J
Z3	080119	RES NETWORK, 220K	91637	SOMC-1603-224K
Z4	080117	RES NETWORK, 16P8R, 47K	73138	628-AL-473J
Z5	080119	RES NETWORK, 220K	91637	SOMC-1603-224K
Z6	080117	RES NETWORK, 16P8R, 47K	73138	628-AL-473J
Z7	080119	RES NETWORK, 220K	91637	SOMC-1603-224K
Z8	080117	RES NETWORK, 16P8R, 47K	73138	628-AL-473J
Z9	080119	RES NETWORK, 220K	91637	SOMC-1603-224K
Z10	080117	RES NETWORK, 16P8R, 47K	73138	628-AL-473J
Z11	080119	RES NETWORK, 220K	91637	SOMC-1603-224K
Z12	080117	RES NETWORK, 16P8R, 47K	73138	628-AL-473J
Z13	080119	RES NETWORK, 220K	91637	SOMC-1603-224K
Z14	080117	RES NETWORK, 16P8R, 47K	73138	628-AL-473J
Z15	080119	RES NETWORK, 220K	91637	SOMC-1603-224K
Z16	080117	RES NETWORK, 16P8R, 47K	73138	628-AL-473J
Z17	080119	RES NETWORK, 220K	91637	SOMC-1603-224K
Z18	080117	RES NETWORK, 16P8R, 47K	73138	628-AL-473J
Z19	080119	RES NETWORK, 220K	91637	SOMC-1603-224K
Z20	080117	RES NETWORK, 16P8R, 47K	73138	628-AL-473J
Z27	080114	RES NETWORK, 16P8R, 15K	73138	628-AL-153J
Z28	080120	RES NETWORK, 10K	11236	767-161R10K
{43}1	401951	PCB ASSY., LBUS JUMPER	21793	401951
{44}1	401951-003	PCB ASSY., P3 JUMPER	21793	401951-003
{45}1	415070	PCB, 1260-17 (UNLOADED)	21793	415070
{48}A/R	500022	WIRE, BARE COPPER/TIN, 22 GA	21793	500022
{49}A/R	500204	WIRE, TEFLON, SOLID, 28 GA, WHT	04946	1100-32-C-9
{67}6	610257	STANDOFF, SWAGE, 1/4D 4-40 X .31	06540	9534BB04403A
{70}4	611258-001	STANDOFF, SWAGE 4-40 X .170	06540	8091-11B-B-440-28

405070 - PCB ASSY., 1260-17 (REV. B)

REF DESIG	RACAL P/N	DESCRIPTION	FSC	MANUFACTURER'S P/N
C1-C4	110126	CAP, TANTA, 6.8UF, 35V, 20 PERCENT	05397	T355F685M035A5
C100-C102	R-21-1801	CAP, CHIP, 10 NF	95275	VJ1206Y103MF
C103	110165	CAP TANTA, .15 MF, 35V, 10PCT	05397	T3SSA1S4K03SAS
C104-C140	R-21-1801	CAP, CHIP, 10 NF	95275	VJ12 06Y103MF
J3	601925	CONNECTOR, PCB, RECEPT, 3 ROW, 96P	52072	618008
J4	601925	CONNECTOR, PCB, RECEPT, 3 ROW, 96P	52072	618008
J200	602005	CONNECTOR, DIN TYPE B, MALE, 64 PIN	06383	100-064033B
J202	602005	CONNECTOR, DIN TYPE B, MALE, 64 PIN	06383	100-064033B
K1-K40	310197	RELAY, 2 FORM C	61529	TQ2E-24V
L1	100164	CAP, FEED-THRU,800PF, 50V	00779	842448-2
L2	310193	CHOKE, SHIELDED, 5UH	91637	IH-5~5-10
L3	310193	CHOKE, SHIELDED, 5UH	91637	IH-5-5-10
L4	100164	CAP, FEED-THRU,800PF, 50V	00779	842448-2
L5	600245	JUMPER, INSULATED	52210	L-2007-1
P1	601675-001	CONNECTOR, EUROCARD, 96 PIN MOD.	21793	601675-001
P2	601675-001	CONNECTOR, EUROCARD, 96 PIN MOD.	21793	601675-001
P55	602023	CABLE ASSY., 1DC 60 PIN	21793	602023
SW1-5W3	601969	SWITCH, DIP 6 P05, LOW PROFILE	65832	K4065
TP1	601197	POST, TEST, .025 SQ	00779	6-87022-6
U1	231131	IC, DIGITAL, SHIFT REGISTER	18324	PC7 4HCT1 64D
U2	231130	IC, DIGITAL, FLIP FLOP	18324	PC74HC273
U3	231098	IC, SOIC TRANSISTOR	56289	JLN-2803LW
U4	231120	IC, 8-BIT, PARALLEL/SERIAL OUT S.R.	18324	74HCT166D
U5	231131	IC, DIGITAL, SHIFT REGISTER	18324	PC74HCT164D
U6	231130	IC, DIGITAL, FLIP FLOP	18324	PC74HC273
U7	231098	IC, SOIC TRANSISTOR	56289	JLN-2803LW
U8	231120	IC, 8-BIT, PARALLEL/SERIAL OUT S.R.	18324	74HCT166D
U9	231131	IC, DIGITAL, SHIFT REGISTER	18324	PC74HCT164D
U10	231130	IC, DIGITAL, FLIP FLOP	18324	PC74HC273
U11	231098	IC, SOIC TRANSISTOR	56289	JLN-2803LW
U12	231120	IC, 8-BIT, PARALLEL/SERIAL OUT S.R.	18324	74HCT166D
U13	231131	IC, DIGITAL, SHIFT REGISTER	18324	PC74HCT1 64D
U14	231130	IC, DIGITAL, FLIP FLOP	18324	PC74HC273
U15	231098	IC, SOIC TRANSISTOR	56289	LJLN-2 803LW
U16	231120	IC, 8-BIT, PARALLEL/SERIAL OUT S.R.	18324	74HCT166D
U17	231131	IC, DIGITAL, SHIFT REGISTER	18324	PC7 4HCT1 6 4D
U18	231130	IC, DIGITAL, FLIP FLOP	18324	PC74HC273
U19	231098	IC, SOIC TRANSISTOR	56289	JLN-2803LW
U20	231120	IC, 8-BIT, PARALLEL/SERIAL OUT S.R.	18324	74HCT166D
U21	231131	IC, DIGITAL, SHIFT REGISTER	18324	PC74HCT164D
U22	231130	IC, DIGITAL, FLIP FLOP	18324	PC74HC273
U23	231098	IC, SOIC TRANSISTOR	56289	13LN-2803LW
U24	231120	IC, 8-BIT, PARALLEL/SERIAL OUT S.R.	18324	74HCT166D
U25	231131	IC, DIGITAL, SHIFT REGISTER	18324	PC74HCT164D
U26	231130	IC, DIGITAL, FLIP FLOP	18324	PC74HC273
U27	231098	IC, SOIC TRANSISTOR	56289	13LN-2803LW
U28	231120	IC, 8-BIT, PARALLEL/SERIAL OUT S.R.	18324	74HCT166D
U29	231131	IC, DIGITAL, SHIFT REGISTER	18324	PC74HCT164D
U30	231130	IC, DIGITAL, FLIP FLDP	18324	PC74HC273
U31	231098	IC, SOIC TRANSISTOR	56289	13LN-2803LW
U32	231120	IC, 8-BIT, PARALLEL/SERIAL OUT S.R.	18324	74HCT166D
U33	231131	IC, DIGITAL, SHIFT REGISTER	18324	PC7 4HCT1 64D
U34	231130	IC, DIGITAL, FLIP FLOP	18324	PC74HC273
U35	231098	IC, SOIC TRANSISTOR	56289	ULN-2803LW
U36	231120	IC, 8-BIT, PARALLEL/SERIAL OUT S.R.	18324	74HCT166D
U37	231131	IC, DIGITAL, SHIFT REGISTER	18324	PC74HCT164D
U38	231130	IC, DIGITAL, FLIP FLOP	18324	PC74HC273
U39	231098	IC, SOIC TRANSISTOR	56289	ULN-2803LW
U40	231120	IC, 8-BIT, PARALLEL/SERIAL OUT S.R.	18324	74HCT166D

405070 - PCB ASSY., 1260-17 (REV. B)

REF DESIG	RACAL P/N	DESCRIPTION	FSC	MANUFACTURER'S P/N
U53	231153	IC, PROGRAMMED PLA	21793	231153
U54	231094	IC, DEMUX DECODER	18324	N74L513 8D
USS	231094	IC, DEMUX DECODER	18324	N74L513 8D
U56	231135	IC, DIGITAL, 4-BIT COMPARATOR	18324	PC7 4HCT8 SD
U57	231093	IC, QUAD COMPARATOR	D4713	LM339D
J60	231120	IC, 8-BIT, PARALLEL/SERIAL OUT S.R.	18324	74HCT166D
J61	23113~	IC, DIGITAL, SHIFT REGISTER	18324	PC7 4HCT164D
J62	231131	IC, DIGITAL, SHIFT REGISTER	18324	PC74HCT164D
770	231152-001	IC, DIGITAL 16L8, PAL	21793	231152-001
771	231147	IC, MULTIPLEXER	04713	74HC253D
772	231147	IC, MULTIPLEXER	04713	74HC253D
773	231096	IC, QUAD DIFF RECEIVER	01295	AN2 6LS32ACD
774	231096	IC, QUAD DIFF RECEIVER	01295	AM2 6L53 2ACD
775	231125	IC, DIGITAL, LINE DRIVER	27014	D526L531MN
1376	231154	IC, PROGRAMMED PLA	21793	231154
1377	231147	IC, MULTIPLEXER	04713	74HC253D
Zi	080119	RES NETWORK, 220K	91637	SOMC-1603 -224K
Z2	080117	RES NETWORK, 16P8R, 47K	73138	628-AL-473J
Z3	080119	RES NETWORK, 220K	91637	SOMC-1603-224K
Z4	080117	RES NETWORK, 16P8R, 47K	73138	628-AL-473J
Z5	080119	RES NETWORK, 220K	91637	SOMC-1603-224K
Z6	080117	RES NETWORK, 16P8R, 47K	73138	628-AL-473J
Z7	080119	RES NETWORK, 220K	91637	SOMC-1603-224K
Z8	080117	RES NETWORK, 16P8R, 47K	73138	628-AL-473J
Z9	080119	RES NETWORK, 220K	91637	SOMC-1603-224K
Z10	080117	RES NETWORK, 16P8R, 47K	73138	628-AL-473J
Zi1	080119	RES NETWORK, 220K	91637	SOMC-1603-224K
Z12	080117	RES NETWORK, 16P8R, 47K	73138	628-AL-473J
Z13	080119	RES NETWORK, 220K	91637	SOMC-1603 -224K
Z14	080117	RES NETWORK, 16P8R, 47K	73138	628-AL-473J
Zis	080119	RES NETWORK, 220K	91637	SOMC-1603-224K
Z16	080117	RES NETWORK, 16P8R, 47K	73138	628-AL-473J
Z17	080119	RES NETWORK, 220K	91637	SOMC-1603-224K
Z18	080117	RES NETWORK, 16P8R, 47K	73138	628-AL-473J
Z19	080119	RES NETWORK, 220K	91637	SOMC-1603-224K
Z20	080117	RES NETWORK, 16P8R, 47K	73138	628-AL-473J
Z27	080114	RES NETWORK, 16P8R, 15K	73138	628-AL-153J
Z28	080120	RES NETWORK, 10K	11236	767-161R10K
(43)1	401951	PCB ASSY., LBUS JUMPER	21793	401951
(44)1	401951-003	PCB ASSY., P3 JUMPER	21793	401951-003
(45)1	415070	PCB, 1260-17 (UNLOADED)	21793	415070
{48}A/R	500022	WIRE, BARE COPPER/TIN, 22 GA	21793	500022
{49}A/R	500204	WIRE, TEFLON, SOLID, 28 GA, WHT	04946	1100-32-C-9
(67)6	610257	STANDOFF, SWAGE, 1/4D, 4-40 X .31	06540	9534BB04403A
(70)2	611367	STANDOFF, ROUND SWAGE, M3X0.5X4.3	06540	21003B-B-0350-28 (L4 .3
{71}1	611366	STANDOFF, ROUND SWAGE, M3X0.5X19	06540	21017B-B-0350-28

405071 - PCB ASSY., 1260-17D

REF DESIG	RACAL P/N	DESCRIPTION	FSC	MANUFACTURER'S P/N
J201	602005	CONNECTOR, DIN TYPE B, MALE, 64 PIN	06383	100-064033B
J203	602005	CONNECTOR, DIN TYPE B, MALE, 64 PIN	06383	100-064033B
J204	602008	CONNECTOR, RIGHT ANGLE, 60 PIN	52072	CA-6OHRM-1F-S
K41-K80	310197	RELAY, 2 FORM C	61529	TQ2E-24V
TP1	601197	POST, TEST, .025 SQ	00779	6-87022-6
(3)1	415071	PCB, 1260-17D (UNLOADED)	21793	415071

FSC	SUPPLIER
00779	AMP, INC. HARRISBURG, PA
01295	TEXAS INSTRUMENTS, INC. DALLAS, TX
04713	MOTOROLA, INC. (SEMICONDUCTOR PRODUCTS DIV.) PHOENIX, AZ
04946	STANDARD WIRE & CABLE RANCHO DOMINGUEZ, CA
05397	UNION CARBIDE CORP. (MATERIALS SYSTEMS DIV.) CLEVELAND, OH
05972	LOCTITE CORP. HARTFORD, CT
06383	PANDUIT CORP. TINLEY PARK, IL
06540	AMATOM ELECTRONIC HARDWARE NEW ROCHELLE, NY
11236	CTS OF BERNE, INC. BEPNE, IN
18324	SIGNETICS, INC. SUNNYVALE, CA
21793	RACAL INSTRUMENTS INC. IRVINE, CA
27014	NATIONAL SEMI-CONDUCTOR CORP. SANTA CLARA, CA
52072	CIRCUIT ASSY. CORP. COSTA MESA, CA
52210	GETTING ENGRG. & MFG. CO. SPRING MILLS, PA
56289	SPRAGUE ELECTRIC CO. N. ADAMS, MA
61529	AROMAT CORP. CUPERTINO, CA
62559	SCHROFF, INC. WARWICK, RI
65832	AMERICAN RESEARCH & ENGINEERING ELGIN, IL
73138	BECKMAN INSTRUMENTS FULLERTON, CA
78189	ILLINOIS TOOL WORKS, INC. (SHAKEPROOF DIV.) ELGIN, IL
91637	DALE ELECTRONICS, INC. COLUMBUS, NE
95275	VITRAMON, INC. BRIDGEPORT, CT
OG8R9	HARTING ELECTRONICS HOFFMAN ESTATES, IL.

This page was left intentionally blank.

Chapter 6

OPTIONAL HARNESS ASSEMBLIES

The following harness assemblies are used to connect Racal Instruments Model 1260-17 to Freedom Series Test Receiver Interfaces.

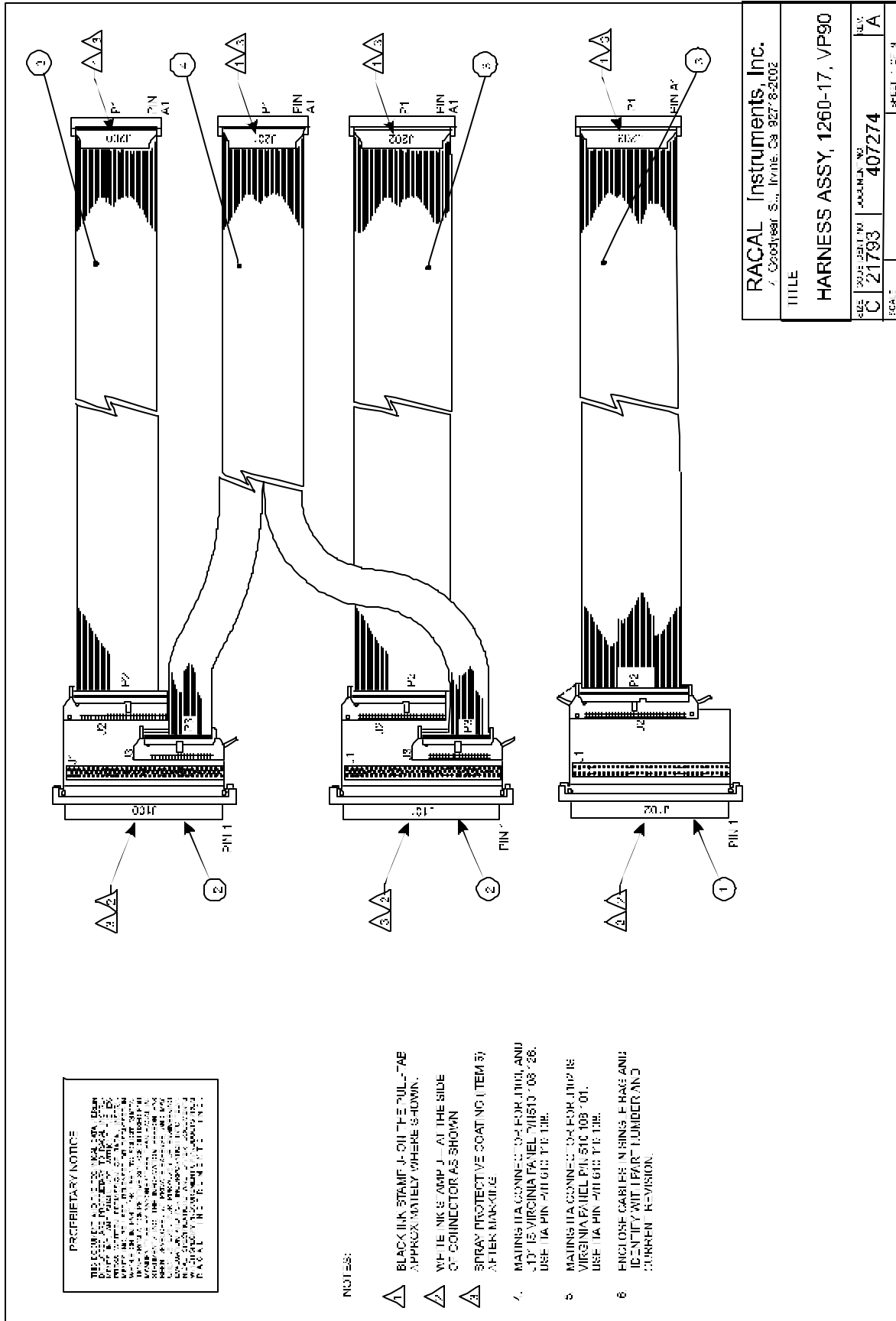
Each harness documentation consists of an assembly drawing, parts list, system wire list and wire list.

407274 Virginia Panel, Inc. Series VP90 Interface Harness

407275 TTI Testron, Inc. Interface Harness

For more information on Racal Instruments complete line of Test Receivers Interface solution, contact your Sales Representative.

This page was left intentionally blank.



PROPRIETARY NOTICE
 THIS DOCUMENT AND THE INFORMATION CONTAINED HEREIN ARE THE PROPERTY OF RACAL INSTRUMENTS, INC. AND ARE UNCLASSIFIED. IT IS THE POLICY OF RACAL INSTRUMENTS, INC. TO MAKE THIS INFORMATION AVAILABLE TO ALL PERSONS. IT IS NOT TO BE REPRODUCED OR TRANSMITTED IN ANY FORM OR BY ANY MEANS, ELECTRONIC OR MECHANICAL, INCLUDING PHOTOCOPYING, RECORDING, OR BY ANY INFORMATION STORAGE AND RETRIEVAL SYSTEM, WITHOUT THE WRITTEN PERMISSION OF RACAL INSTRUMENTS, INC. RACAL INSTRUMENTS, INC. IS NOT RESPONSIBLE FOR ANY REPRODUCTION OR TRANSMISSION OF THIS INFORMATION IN ANY FORM OR BY ANY MEANS, ELECTRONIC OR MECHANICAL, INCLUDING PHOTOCOPYING, RECORDING, OR BY ANY INFORMATION STORAGE AND RETRIEVAL SYSTEM, WITHOUT THE WRITTEN PERMISSION OF RACAL INSTRUMENTS, INC.

- NOTES:**
- 1. BLACK INK STAMP OFF THE "PULL-APART" APPROXIMATELY WHERE SHOWN.
 - 2. WHITE INK STAMP OFF AT THE SIDE OF CONNECTOR AS SHOWN.
 - 3. SPRAY PROTECTIVE COATING (ITEM 5) AFTER MARKING.
 - 4. MAINS IIA CONNECTOR FOR J101 AND J102 IS VIRGINIA PANEL PIN 510 103 101. USE IIA PIN 410 610 TIE DR.
 - 5. MAINS IIA CONNECTOR FOR J102 IS VIRGINIA PANEL PIN 510 103 101. USE IIA PIN 410 610 TIE DR.
 - 6. ENCLOSE CABLES IN BINS IF HAS AND IDENTIFY WITH PART NUMBER AND CURRENT REVISION.

RACAL Instruments, Inc. 7 Goodyear S., Irvine, CA 92718-2002	
TITLE HARNES ASSY, 1260-17, VP90	
SIZE C 21793	DRAWING NO. 407274
SCALE 1:1	REV. A

ENGINEERING PARTS LIST

ITEM	BIN	PART NO.	DESCRIPTION	QTY	REFERENCE
1		405084	PCB ASSY, VP90 INTFC 64-PIN	1	J102
2		405085	PCB ASSY, VP90 INTFC, 96-PIN	2	J100,J101
3		407259	CABLE ASSY, 'DC, 64-COND, VP90	3	
4		407258	CABLE ASSY, 64SPLT, VP90	1	
5		910541	POLYURETHANE CONF. COAT	AIR	

RACAL Instruments, Inc., 4 Goodyear St. Irvine CA 92718				
DOCUMENT TITLE	SIZE	CODE NO.	DOCUMENT NO.	REV
HARNESS ASSEMBLY,1260-17,VP90	A	21793	407274	A
	DRN			SHEET 2 of 9

ENGINEERING WIRE LIST

WIRE	FROM	TO	TYPE	PART	WIRE LEN	REFERENCE
	BLK AA (J100)	Uxx-SLOT yy (J200,J201)	CABLE	407274		SYSTEM WIRE LIST
	BLK AA (J101)	Uxx-SLOT yy (J201,J202)	CABLE	407274		
	BLK AA (J102)	Uxx-SLOT yy (J203)	CABLE	407274		

This system wirelist serves as a template for incorporating this harness assembly into the overall system wirelist. It does not in any way affect the fabrication of this harness assembly.

RACAL Instruments, Inc., 4 Goodyear St. Irvine CA 92718				
DOCUMENT TITLE	SIZE	CODE NO.	DOCUMENT NO.	REV
HARNESS ASSEMBLY,1260-17,VP90	A	21793	407274	A
	DRN			SHEET 3 of 9

ENGINEERING WIRE LIST

WIRE	FROM	TO	TYPE	PART	WIRE LEN	REFERENCE
1	J100-44	J200-A1	RED	407259	41.5"	COMM 19
2	J100-76	J200-A2	BRN	407259	41.5"	NO 18
3	J100-13	J200-A3	BLK	407259	41.5"	NC 18
4	J100-46	J200-A4	WHT	407259	41.5"	COMM 17
5	J100-78	J200-A5	GRY	407259	41.5"	NO 16
6	J100-15	J200-A6	VIO	407259	41.5"	NC 16
7	J100-48	J200-A7	BLU	407259	41.5"	COMM 15
8	J100-80	J200-A8	GRN	407259	41.5"	NO 14
9	J100-17	J200-A9	YEL	407259	41.5"	NC 14
10	J100-50	J200-A10	ORN	407259	41.5"	COMM 13
11	J100-82	J200-A11	RED	407259	41.5"	NO 12
12	J100-19	J200-A12	BRN	407259	41.5"	NC 12
13	J100-52	J200-A13	BLK	407259	41.5"	COMM 11
14	J100-84	J200-A14	WHT	407259	41.5"	NO 10
15	J100-21	J200-A15	GRY	407259	41.5"	NC 10
16	J100-54	J200-A16	VIO	407259	41.5"	COMM 09
17	J100-86	J200-A17	BLU	407259	41.5"	NO 08
18	J100-23	J200-A18	GRN	407259	41.5"	NC 08
19	J100-56	J200-A19	YEL	407259	41.5"	COMM 07
20	J100-88	J200-A20	ORN	407259	41.5"	NO 06
21	J100-25	J200-A21	RED	407259	41.5"	NC 06
22	J100-58	J200-A22	BRN	407259	41.5"	COMM 05
23	J100-90	J200-A23	BLK	407259	41.5"	NO 04
24	J100-27	J200-A24	WHT	407259	41.5"	NC 04
25	J100-60	J200-A25	GRY	407259	41.5"	COMM 03
26	J100-92	J200-A26	VIO	407259	41.5"	NO 02
27	J100-29	J200-A27	BLU	407259	41.5"	NC 02
28	J100-62	J200-A28	GRN	407259	41.5"	COMM 01
29	J100-94	J200-A29	YEL	407259	41.5"	NO 00
30	J100-31	J200-A30	ORN	407259	41.5"	NC 00
31	J100-64	J200-A31	RED	407259	41.5"	NC
32	J100-96	J200-A32	BRN	407259	41.5"	GND
33	J100-75	J200-B1	TAN	407259	41.5"	NO 19
34	J100-12	J200-B2	TAN	407259	41.5"	NC 19
35	J100-45	J200-B3	TAN	407259	41.5"	COMM 18
36	J100-77	J200-B4	TAN	407259	41.5"	NO 17
37	J100-14	J200-B5	TAN	407259	41.5"	NC 17
38	J100-47	J200-B6	TAN	407259	41.5"	COMM 16
39	J100-79	J200-B7	TAN	407259	41.5"	NO 15
40	J100-16	J200-B8	TAN	407259	41.5"	NC 15
41	J100-49	J200-B9	TAN	407259	41.5"	COMM 14
42	J100-81	J200-B10	TAN	407259	41.5"	NO 13
43	J100-18	J200-B11	TAN	407259	41.5"	NC 13
44	J100-51	J200-B12	TAN	407259	41.5"	COMM 12
45	J100-83	J200-B13	TAN	407259	41.5"	NO 11
46	J100-20	J200-B14	TAN	407259	41.5"	NC 11
47	J100-53	J200-B15	TAN	407259	41.5"	COMM 10
48	J100-85	J200-B16	TAN	407259	41.5"	NO 09

RACAL Instruments, Inc., 4 Goodyear St. Irvine CA 92718

DOCUMENT TITLE	SIZE	CODE NO.	DOCUMENT NO.	REV
HARNESS ASSEMBLY, 1260-17, VP90	A	21793	407274	A
	DRN			SHEET 4 of 9

ENGINEERING WIRE LIST

WIRE	FROM	TO	TYPE	PART	WIRE LEN	REFERENCE
49	J100-22	J200-B17	TAN	407259	41.5"	NC 09
50	J100-55	J200-B18	TAN	407259	41.5"	COMM 08
51	J100-87	J200-B19	TAN	407259	41.5"	NO 07
52	J100-24	J200-B20	TAN	407259	41.5"	NC 07
53	J100-57	J200-B21	TAN	407259	41.5"	COMM 06
54	J100-89	J200-B22	TAN	407259	41.5"	NO 05
55	J100-26	J200-B23	TAN	407259	41.5"	NC 05
56	J100-59	J200-B24	TAN	407259	41.5"	COMM 04
57	J100-91	J200-B25	TAN	407259	41.5"	NO 03
58	J100-28	J200-B26	TAN	407259	41.5"	NC 03
59	J100-61	J200-B27	TAN	407259	41.5"	COMM 02
60	J100-93	J200-B28	TAN	407259	41.5"	NO 01
61	J100-30	J200-B29	TAN	407259	41.5"	NC 01
62	J100-63	J200-B30	TAN	407259	41.5"	COMM 00
63	J100-95	J200-B31	TAN	407259	41.5"	NC
64	J100-32	J200-B32	TAN	407259	41.5"	GND
65	J101-1	J201-A1	RED	407258	41.5"	COMM 59
66	J101-34	J201-A2	BRN	407258	41.5"	NO 58
67	J101-66	J201-A3	BLK	407258	41.5"	NC 58
68	J101-3	J201-A4	WHT	407258	41.5"	COMM 57
69	J101-36	J201-A5	GRY	407258	41.5"	NO 56
70	J101-68	J201-A6	VIO	407258	41.5"	NC 56
71	J101-5	J201-A7	BLU	407258	41.5"	COMM 55
72	J101-38	J201-A8	GRN	407258	41.5"	NO 54
73	J101-70	J201-A9	YEL	407258	41.5"	NC 54
74	J101-7	J201-A10	ORN	407258	41.5"	COMM 53
75	J101-40	J201-A11	RED	407258	41.5"	NO 52
76	J101-72	J201-A12	BRN	407258	41.5"	NC 52
77	J101-9	J201-A13	BLK	407258	41.5"	COMM 51
78	J101-42	J201-A14	WHT	407258	41.5"	NO 50
79	J101-74	J201-A15	GRY	407258	41.5"	NC 50
80	J101-11	J201-A16	VIO	407258	41.5"	COMM 49
81	J100-1	J201-A17	BLU	407258	41.5"	NO 48
82	J100-34	J201-A18	GRN	407258	41.5"	NC 48
83	J100-66	J201-A19	YEL	407258	41.5"	COMM 47
84	J100-3	J201-A20	ORN	407258	41.5"	NO 46
85	J100-36	J201-A21	RED	407258	41.5"	NC 46
86	J100-68	J201-A22	BRN	407258	41.5"	COMM 45
87	J100-5	J201-A23	BLK	407258	41.5"	NO 44
88	J100-38	J201-A24	WHT	407258	41.5"	NC 44
89	J100-70	J201-A25	GRY	407258	41.5"	COMM 43
90	J100-7	J201-A26	VIO	407258	41.5"	NO 42
91	J100-40	J201-A27	BLU	407258	41.5"	NC 42
92	J100-72	J201-A28	GRN	407258	41.5"	COMM 41
93	J100-9	J201-A29	YEL	407258	41.5"	NO 40
94	J100-42	J201-A30	ORN	407258	41.5"	NC 40

RACAL Instruments, Inc., 4 Goodyear St. Irvine CA 92718

DOCUMENT TITLE	SIZE	CODE NO.	DOCUMENT NO.	REV
HARNESS ASSEMBLY,1260-17,VP90	A	21793	407274	A
	DRN			SHEET 5 of 9

ENGINEERING WIRE LIST

WIRE	FROM	TO	TYPE	PART #	WIRE LEN	REFERENCE
95	J100-74	J201-A31	RED	407258	41.5"	NC
96	J100-11	J201-A32	BRN	407258	41.5"	GND
97	J101-33	J201-B1	TAN	407258	41.5"	NO 59
98	J101-65	J201-B2	TAN	407258	41.5"	NC 59
99	J101-2	J201-B3	TAN	407258	41.5"	COMM 58
100	J101-35	J201-B4	TAN	407258	41.5"	NO 57
101	J101-67	J201-B5	TAN	407258	41.5"	NC 57
102	J101-4	J201-B6	TAN	407258	41.5"	COMM 56
103	J101-37	J201-B7	TAN	407258	41.5"	NO 55
104	J101-69	J201-B8	TAN	407258	41.5"	NC 55
105	J101-6	J201-B9	TAN	407258	41.5"	COMM 54
106	J101-39	J201-B10	TAN	407258	41.5"	NO 53
107	J101-71	J201-B11	TAN	407258	41.5"	NC 53
108	J101-8	J201-B12	TAN	407258	41.5"	COMM 52
109	J101-41	J201-B13	TAN	407258	41.5"	NO 51
110	J101-73	J201-B14	TAN	407258	41.5"	NC 51
111	J101-10	J201-B15	TAN	407258	41.5"	COMM 50
112	J101-43	J201-B16	TAN	407258	41.5"	NO 49
113	J100-33	J201-B17	TAN	407258	41.5"	NC 49
114	J100-65	J201-B18	TAN	407258	41.5"	COMM 48
115	J100-2	J201-B19	TAN	407258	41.5"	NO 47
116	J100-35	J201-B20	TAN	407258	41.5"	NC 47
117	J100-67	J201-B21	TAN	407258	41.5"	COMM 46
118	J100-4	J201-B22	TAN	407258	41.5"	NO 45
119	J100-37	J201-B23	TAN	407258	41.5"	NC 45
120	J100-69	J201-B24	TAN	407258	41.5"	COMM 44
121	J100-6	J201-B25	TAN	407258	41.5"	NO 43
122	J100-39	J201-B26	TAN	407258	41.5"	NC 43
123	J100-71	J201-B27	TAN	407258	41.5"	COMM 42
124	J100-8	J201-B28	TAN	407258	41.5"	NO 41
125	J100-41	J201-B29	TAN	407258	41.5"	NC 41
126	J100-73	J201-B30	TAN	407258	41.5"	COMM 40
127	J100-10	J201-B31	TAN	407258	41.5"	NC
128	J100-43	J201-B32	TAN	407258	41.5"	GND
129	J101-44	J202-A1	RED	407259	41.5"	COMM 39
130	J101-76	J202-A2	BRN	407259	41.5"	NO 38
131	J101-13	J202-A3	BLK	407259	41.5"	NC 38
132	J101-46	J202-A4	WHT	407259	41.5"	COMM 37
133	J101-78	J202-A5	GRY	407259	41.5"	NO 36
134	J101-15	J202-A6	VIO	407259	41.5"	NC 36
135	J101-48	J202-A7	BLU	407259	41.5"	COMM 35
136	J101-80	J202-A8	GRN	407259	41.5"	NO 34
137	J101-17	J202-A9	YEL	407259	41.5"	NC 34
138	J101-50	J202-A10	ORN	407259	41.5"	COMM 33
139	J101-82	J202-A11	RED	407259	41.5"	NO 32
140	J101-19	J202-A12	BRN	407259	41.5"	NC 32

RACAL Instruments, Inc., 4 Goodyear St. Irvine CA 92718

DOCUMENT TITLE	SIZE	CODE NO.	DOCUMENT NO.	REV
HARNESS ASSEMBLY,1260-17,VP90	A	21793	407274	A
	DRN			SHEET 6 of 9

ENGINEERING WIRE LIST

WIRE	FROM	TO	TYPE	PART #	WIRE LEN	REFERENCE
141	J101-52	J202-A13	BLK	407259	41.5"	COMM 31
142	J101-84	J202-A14	WHT	407259	41.5"	NO 30
143	J101-21	J202-A15	GRY	407259	41.5"	NC 30
144	J101-54	J202-A16	VIO	407259	41.5"	COMM 29
145	J101-86	J202-A17	BLU	407259	41.5"	NO 28
146	J101-23	J202-A18	GRN	407259	41.5"	NC 28
147	J101-56	J202-A19	YEL	407259	41.5"	COMM 27
148	J101-88	J202-A20	ORN	407259	41.5"	NO 26
149	J101-25	J202-A21	RED	407259	41.5"	NC 26
150	J101-58	J202-A22	BRN	407259	41.5"	COMM 25
151	J101-90	J202-A23	BLK	407259	41.5"	NO 24
152	J101-27	J202-A24	WHT	407259	41.5"	NC 24
153	J101-60	J202-A25	GRY	407259	41.5"	COMM 23
154	J101-92	J202-A26	VIO	407259	41.5"	NO 22
155	J101-29	J202-A27	BLU	407259	41.5"	NC 22
156	J101-62	J202-A28	GRN	407259	41.5"	COMM 21
157	J101-94	J202-A29	YEL	407259	41.5"	NO 20
158	J101-31	J202-A30	ORN	407259	41.5"	NC 20
159	J101-64	J202-A31	RED	407259	41.5"	NC
160	J101-96	J202-A32	BRN	407259	41.5"	GND
161	J101-75	J202-B1	TAN	407259	41.5"	NO 39
162	J101-12	J202-B2	TAN	407259	41.5"	NC 39
163	J101-45	J202-B3	TAN	407259	41.5"	COMM 38
164	J101-77	J202-B4	TAN	407259	41.5"	NO 37
165	J101-14	J202-B5	TAN	407259	41.5"	NC 37
166	J101-47	J202-B6	TAN	407259	41.5"	COMM 36
167	J101-79	J202-B7	TAN	407259	41.5"	NO 35
168	J101-16	J202-B8	TAN	407259	41.5"	NC 35
169	J101-49	J202-B9	TAN	407259	41.5"	COMM 34
170	J101-81	J202-B10	TAN	407259	41.5"	NO 33
171	J101-18	J202-B11	TAN	407259	41.5"	NC 33
172	J101-51	J202-B12	TAN	407259	41.5"	COMM 32
173	J101-83	J202-B13	TAN	407259	41.5"	NO 31
174	J101-20	J202-B14	TAN	407259	41.5"	NC 31
175	J101-53	J202-B15	TAN	407259	41.5"	COMM 30
176	J101-85	J202-B16	TAN	407259	41.5"	NO 29
177	J101-22	J202-B17	TAN	407259	41.5"	NC 29
178	J101-55	J202-B18	TAN	407259	41.5"	COMM 28
179	J101-87	J202-B19	TAN	407259	41.5"	NO 27
180	J101-24	J202-B20	TAN	407259	41.5"	NC 27
181	J101-57	J202-B21	TAN	407259	41.5"	COMM 26
182	J101-89	J202-B22	TAN	407259	41.5"	NO 25
183	J101-26	J202-B23	TAN	407259	41.5"	NC 25
184	J101-59	J202-B24	TAN	407259	41.5"	COMM 24
185	J101-91	J202-B25	TAN	407259	41.5"	NO 23
186	J101-28	J202-B26	TAN	407259	41.5"	NC 23
187	J101-61	J202-B27	TAN	407259	41.5"	COMM 22
188	J101-93	J202-B28	TAN	407259	41.5"	NO 21

RACAL Instruments, Inc., 4 Goodyear St. Irvine CA 92718

DOCUMENT TITLE	SIZE	CODE NO.	DOCUMENT NO.	REV
HARNES ASSEMBLY,1260-17,VP90	A	21793	407274	A
	DRN		SHEET 7 of 9	

ENGINEERING WIRE LIST

WIRE	FROM	TO	TYPE	PART #	WIRE LEN	REFERENCE
189	J101-30	J202-B29	TAN	407259	41.5"	NC 21
190	J101-63	J202-B30	TAN	407259	41.5"	COMM 20
191	J101-95	J202-B31	TAN	407259	41.5"	NC
192	J101-32	J202-B32	TAN	407259	41.5"	GND
193	J102-33	J203-A1	RED	407259	41.5"	COMM 79
194	J102-34	J203-A2	BRN	407259	41.5"	NO 78
195	J102-35	J203-A3	BLK	407259	41.5"	NC 78
196	J102-36	J203-A4	WHT	407259	41.5"	COMM 77
197	J102-37	J203-A5	GRY	407259	41.5"	NO 76
198	J102-38	J203-A6	VIO	407259	41.5"	NC 76
199	J102-39	J203-A7	BLU	407259	41.5"	COMM 75
200	J102-40	J203-A8	GRN	407259	41.5"	NO 74
201	J102-41	J203-A9	YEL	407259	41.5"	NC 74
202	J102-42	J203-A10	ORN	407259	41.5"	COMM 73
203	J102-43	J203-A11	RED	407259	41.5"	NO 72
204	J102-44	J203-A12	BRN	407259	41.5"	NC 72
205	J102-45	J203-A13	BLK	407259	41.5"	COMM 71
206	J102-46	J203-A14	WHT	407259	41.5"	NO 70
207	J102-47	J203-A15	GRY	407259	41.5"	NC70
208	J102-48	J203-A16	VIO	407259	41.5"	COMM 69
209	J102-49	J203-A17	BLU	407259	41.5"	NO 68
210	J102-50	J203-A18	GRN	407259	41.5"	NC 68
211	J102-51	J203-A19	YEL	407259	41.5"	COMM 67
212	J102-52	J203-A20	ORN	407259	41.5"	NO 66
213	J102-53	J203-A21	RED	407259	41.5"	NC 66
214	J102-54	J203-A22	BRN	407259	41.5"	COMM 65
215	J102-55	J203-A23	BLK	407259	41.5"	NO 64
216	J102-56	J203-A24	WHT	407259	41.5"	NC 64
217	J102-57	J203-A25	GRY	407259	41.5"	COMM 63
218	J102-58	J203-A26	VIO	407259	41.5"	NO 62
219	J102-59	J203-A27	BLU	407259	41.5"	NC 62
220	J102-60	J203-A28	GRN	407259	41.5"	COMM 61
221	J102-61	J203-A29	YEL	407259	41.5"	NO 60
222	J102-62	J203-A30	ORN	407259	41.5"	NC 60
223	J102-63	J203-A31	RED	407259	41.5"	NC
224	J102-64	J203-A32	BRN	407259	41.5"	GND
225	J102-1	J203-B1	TAN	407259	41.5"	NO 79
226	J102-2	J203-B2	TAN	407259	41.5"	NC 79
227	J102-3	J203-B3	TAN	407259	41.5"	COMM 78
228	J102-4	J203-B4	TAN	407259	41.5"	NO 77
229	J102-5	J203-B5	TAN	407259	41.5"	NC 77
230	J102-6	J203-B6	TAN	407259	41.5"	COMM 76
231	J102-7	J203-B7	TAN	407259	41.5"	NO 75
232	J102-8	J203-B8	TAN	407259	41.5"	NC 75
233	J102-9	J203-B9	TAN	407259	41.5"	COMM 74
234	J102-10	J203-B10	TAN	407259	41.5"	NO 73

RACAL Instruments, Inc., 4 Goodyear St. Irvine CA 92718

DOCUMENT TITLE	SIZE	CODE NO.	DOCUMENT NO.	REV
HARNES ASSEMBLY, 1260-17, VP90	A	21793	407274	A
	DRN		SHEET 8 of 9	

ENGINEERING WIRE LIST

WIRE	FROM	TO	TYPE	PART #	WIRE LEN	REFERENCE
235	J102-11	J203-B11	TAN	407259	41.5"	NC 73
236	J102-12	J203-B12	TAN	407259	41.5"	COMM 72
237	J102-13	J203-B13	TAN	407259	41.5"	NO 71
238	J102-14	J203-B14	TAN	407259	41.5"	NC 71
239	J102-15	J203-B15	TAN	407259	41.5"	COMM 70
240	J102-16	J203-B16	TAN	407259	41.5"	NO 69
241	J102-17	J203-B17	TAN	407259	41.5"	NC 69
242	J102-18	J203-B18	TAN	407259	41.5"	COMM 68
243	J102-19	J203-B19	TAN	407259	41.5"	NO 67
244	J102-20	J203-B20	TAN	407259	41.5"	NC 67
245	J102-21	J203-B21	TAN	407259	41.5"	COMM 66
246	J102-22	J203-B22	TAN	407259	41.5"	NO 65
247	J102-23	J203-B23	TAN	407259	41.5"	NC 65
248	J102-24	J203-B24	TAN	407259	41.5"	COMM 64
249	J102-25	J203-B25	TAN	407259	41.5"	NO 63
250	J102-26	J203-B26	TAN	407259	41.5"	NC 63
251	J102-27	J203-B27	TAN	407259	41.5"	COMM 62
252	J102-28	J203-B28	TAN	407259	41.5"	NO 61
253	J102-29	J203-B29	TAN	407259	41.5"	NC 61
254	J102-30	J203-B30	TAN	407259	41.5"	COMM 60
255	J102-31	J203-B31	TAN	407259	41.5"	NC
256	J102-32	J203-B32	TAN	407259	41.5"	GND

RACAL Instruments, Inc., 4 Goodyear St. Irvine CA 92718				
DOCUMENT TITLE	SIZE	CODE NO.	DOCUMENT NO.	REV
HARNES ASSEMBLY,1260-17,VP9O	A	21793	407274	A
	DRN			SHEET 9 of 9

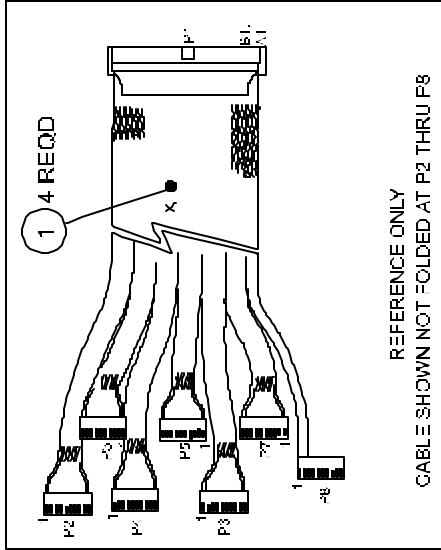
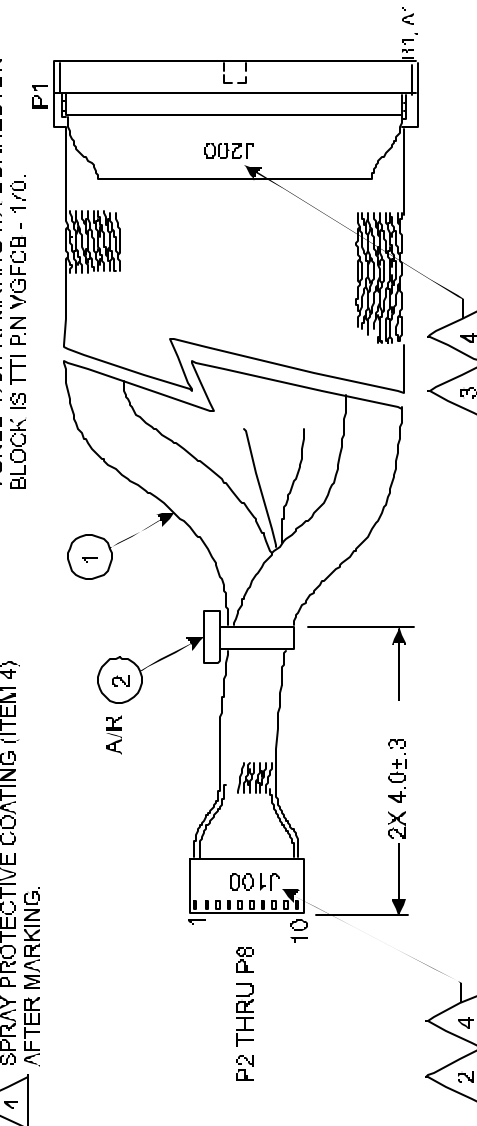
PROPRIETARY NOTICE
 THIS DRAWING AND THE INFORMATION CONTAINED HEREIN ARE THE PROPERTY OF RACAL INSTRUMENTS, INC. AND ARE UNCLASSIFIED AND CONTROLLED UNDER EAR. IT IS TO BE CONTAINED IN THE RACAL INSTRUMENTS, INC. TECHNICAL DRAWING SYSTEM. IT IS TO BE CONTAINED IN THE RACAL INSTRUMENTS, INC. TECHNICAL DRAWING SYSTEM. IT IS TO BE CONTAINED IN THE RACAL INSTRUMENTS, INC. TECHNICAL DRAWING SYSTEM.

CONNECTOR MARKING TABULATION

CONNECTOR	CABLE #1	CABLE #2	CABLE #3	CABLE #4
(P1)	J200	J201	J202	J203
(P2)	J100	J101	J102	J103
(P3)	J104	J105	J106	J107
(P4)	J108	J109	J110	J111
(P5)	J112	J113	J114	J115
(P6)	J116	J117	J118	J119
(P7)	J120	J121	J122	J123
(P8)	J124	J125	J126	J127

NOTES:

- CONNECTOR P2 THRU P7 TO BE FOLDED SO THAT PIN #1 IS AT ONE SIDE OF CABLE ONLY.
- WHITE INK STAMP J--- PCR TABULATION AT P2 THRU P7 APPROXIMATELY WHERE SHOWN.
- BLACK INK STAMP J- PER TABULATION AT P1 APPROXIMATELY WHERE SHOWN.
- SPRAY PROTECTIVE COATING (ITEM 4) AFTER MARKING.
- BUILD EACH CABLE ASSY SEPARATELY (1 TOTAL)
- ENCLOSE CABLES IN SINGLE BAG AND IDENTIFY WITH PART NUMBER AND CURRENT REVISION.
- CONNECTOR J100-121 WILL LATER CONNECT TO RECEIVER BLOCK, TTI P/N VGRCB-1/9HR. MATING ITA CONNECTOR BLOCK IS TTI P/N VGFCEB - 1/0.



RACAL Instruments, Inc. 4 Cambridge St., Milford, CT 06455	
TITLE HARNESS ASSY, 1260-17, TTI	
PAGE B	QUANTITY 407275
SCALE	REV A

ENGINEERING PARTS LIST

ITEM	BIN	PART NO.	DESCRIPTION	QTY	REFERENCE
1		407260	CABLE ASSY, IDC, 64-COND TTI	4	
2		610777	TIE-CA-LKG-.062-.075	A/R	
3		910541	POLYURETHANE CONFORMAL COAT	A/R	

RACAL Instruments, Inc., 4 Goodyear St., Irvine, CA 92718				
DOCUMENT TITLE	SIZE	CODE. NO.	DOCUMENT NO.	REV
HARNESS ASSEMBLY, 1260-17, TTI	A	21793	407275	A
	DRN			SHEET 2 of 11

ENGINEERING WIRE LIST

WIRE	FROM	TO	TYPE	PART	WIRE LEN	REFERENCE
	BLK AAx RW 01 (J100)	Uxx-SLOT yy (J200)	CABLE	407275		SYSTEM WIRE LIST
	BLK AAx RW 02 (J101)	Uxx-SLOT yy (J200)	CABLE	407275		
	BLK AAx RW 03 (J102)	Uxx-SLOT yy (J200)	CABLE	407275		
	BLK AAx RW 04 (J103)	Uxx-SLOT yy (J200)	CABLE	407275		
	BLK AAx RW 05 (J104)	Uxx-SLOT yy (J200)	CABLE	407275		
	BLK AAx RW 06 (J105)	Uxx-SLOT yy (J200)	CABLE	407275		
	BLK AAx RW 07 (J106)	Uxx-SLOT yy (J200)	CABLE	407275		
	BLK AAx RW 08 (J107)	Uxx-SLOT yy (J201)	CABLE	407275		
	BLK AAx RW 09 (J108)	Uxx-SLOT yy (J201)	CABLE	407275		
	BLK AAx RW 10 (J109)	Uxx-SLOT yy (J201)	CABLE	407275		
	BLK AAx RW 11 (J110)	Uxx-SLOT yy (J201)	CABLE	407275		
	BLK AAx RW 12 (J111)	Uxx-SLOT yy (J201)	CABLE	407275		
	BLK AAx RW 13 (J112)	Uxx-SLOT yy (J201)	CABLE	407275		
	BLKAAx RW 14 (J113)	Uxx-SLOTyy (J201)	CABLE	407275		
	BLK Aax RW 15 (J114)	Uxx-SLOT yy (J202)	CABLE	407275		
	BLK AAx RW 16 (J115)	Uxx-SLOT yy (J202)	CABLE	407275		
	BLK AAx RW 17 (J116)	Uxx-SLOT yy (J202)	CABLE	407275		
	BLK AAx RW 01 (J117)	Uxx-SLOT yy (J202)	CABLE	407275		
	BLK AAx RW 02 (J118)	Uxx-SLOT yy (J202)	CABLE	407275		
	BLK AAx RW 03 (J119)	Uxx-SLOT yy (J202)	CABLE	407275		
	BLK AAx RW 04 (J120)	Uxx-SLOT yy (J202)	CABLE	407275		
	BLK AAx RW 05 (J121)	Uxx-SLOT yy (J203)	CABLE	407275		
	BLK AAx RW 06 (J122)	Uxx-SLOT yy (J203)	CABLE	407275		
	BLK AAx RW 07 (J123)	Uxx-SLOT yy (J203)	CABLE	407275		
	BLK AAx RW 08 (J124)	Uxx-SLOT yy (J203)	CABLE	407275		

RACAL Instruments, Inc., 4 Goodyear St., Irvine, CA 92718

DOCUMENT TITLE	SIZE	CODE. NO.	DOCUMENT NO.	REV
HARNESS ASSEMBLY, 1260-17, TTI	A	21793	407275	A
	DRN			SHEET 3 of 11

ENGINEERING WIRE LIST

WIRE	FROM	TO	TYPE	PART #	WIRE LEN	REFERENCE
	BLK AAx RW 09 (J125)	Uxx-SLOT yy (J203)	CABLE	407275		

User Manual 1260-17

	BLK AAx RW 10 (J126)	Uxx-SLOT yy (J203)	CABLE	407275		
	BLK AAx RW 11 (J127)	Uxx-SLOT yy (J203)	CABLE	407275		

This system wirelist serves as a template for incorporating this harness assembly into the overall system wirelist. It does not in any way affect the fabrication of this harness assembly.

RACAL Instruments, Inc., 4 Goodyear St., Irvine, CA 92718				
DOCUMENT TITLE	SIZE	CODE. NO.	DOCUMENT NO.	REV
HARNESS ASSEMBLY, 1260-17, TTI	A	21793	407275	A
	DRN			SHEET 4 of 11

ENGINEERING WIRE LIST

WIRE	FROM	TO	TYPE	PART #	WIRE LEN	REFERENCE
1	J106-3	J200-A1	RED	407260	41.5"	COMM 19
2	J106-1	J200-A2	BRN	407260	41.5"	NO 18
3	J105-2	J200-A3	BLK	407260	41.5"	NC 18
4	J105-4	J200-A4	WHT	407260	41.5"	COMM 17
5	J105-6	J200-A5	GRY	407260	41.5"	NO 16
6	J105-8	J200-A6	VIO	407260	41.5"	NC 16
7	J105-10	J200-A7	BLU	407260	41.5"	COMM 15
8	J104-9	J200-A8	GRN	407260	41.5"	NO 14
9	J104-7	J200-A9	YEL	407260	41.5"	NC 14
10	J104-5	J200-A10	ORN	407260	41.5"	COMM13
11	J104-3	J200-A11	RED	407260	41.5"	NO 12
12	J104-1	J200-A12	BRN	407260	41.5"	NC 12
13	J103-2	J200-A13	BLK	407260	41.5"	COMM 11
14	J103-4	J200-A14	WHT	407260	41.5"	NO 10
15	J103-6	J200-A15	GRY	407260	41.5"	NC 10
16	J103-8	J200-A16	VIO	407260	41.5"	COMM 09
17	J103-10	J200-A17	BLU	407260	41.5"	NO 08
18	J102-9	J200-A18	GRN	407260	41.5"	NC 08
19	J102-7	J200-A19	YEL	407260	41.5"	COMM 07
20	J102-5	J200-A20	ORN	407260	41.5"	NO 06
21	J102-3	J200-A21	RED	407260	41.5"	NC 06
22	J102-1	J200-A22	BRN	407260	41.5"	COMM 05
23	J101-2	J200-A23	BLK	407260	41.5"	NO 04
24	J101-4	J200-A24	WHT	407260	41.5"	NC 04
25	J101-6	J200-A25	GRY	407260	41.5"	COMM 03
26	J101-8	J200-A26	VIO	407260	41.5"	NO 02
27	J101-10	J200-A27	BLU	407260	41.5"	NC 02
28	J100-9	J200-A28	GRN	407260	41.5"	COMM 01
29	J100-7	J200-A29	YEL	407260	41.5"	NO 00
30	J100-5	J200-A30	ORN	407260	41.5"	NC 00
31	J100-3	J200-A31	RED	407260	41.5"	NC
32	J100-1	J200-A32	BRN	407260	41.5"	GND
33	J106-4	J200-B1	TAN	407260	41.5"	NO19
34	J106-2	J200-B2	TAN	407260	41.5"	NC 19
35	J105-1	J200-B3	TAN	407260	41.5"	COMM 18
36	J105-3	J200-B4	TAN	407260	41.5"	NO 17
37	J105-5	J200-B5	TAN	407260	41.5"	NC 17
38	J105-7	J200-B6	TAN	407260	41.5"	COMM 16
39	J105-9	J200-B7	TAN	407260	41.5"	NO 15
40	J104-10	J200-B8	TAN	407260	41.5"	NC 15
41	J104-8	J200-B9	TAN	407260	41.5"	COMM 14
42	J104-6	J200-B10	TAN	407260	41.5"	NO 13
43	J104-4	J200-B11	TAN	407260	41.5"	NC 13
44	J104-2	J200-B12	TAN	407260	41.5"	COMM 12
45	J103-1	J200-B13	TAN	407260	41.5"	NO 11
46	J103-3	J200-B14	TAN	407260	41.5"	NC 11
47	J103-5	J200-B15	TAN	407260	41.5"	COMM 10
48	J103-7	J200-B16	TAN	407260	41.5"	NO 09

RACAL Instruments, Inc., 4 Goodyear St., Irvine, CA 92718

DOCUMENT TITLE	SIZE	CODE. NO.	DOCUMENT NO.	REV
HARNESS ASSEMBLY, 1260-17, TT1	A	21793	407275	A
	DRN			SHEET 5 of 11

ENGINEERING WIRE LIST

WIRE	FROM	TO	TYPE	PART	WIRE LEN	REFERENCE
49	J103-9	J200-B17	TAN	407260	41.5"	NC 09
50	J102-10	J200-B18	TAN	407260	41.5"	COMM 08
51	J102-8	J200-B19	TAN	407260	41.5"	NO 07
52	J102-6	J200-B20	TAN	407260	41.5"	NC 07
53	J102-4	J200-B21	TAN	407260	41.5"	COMM 06
54	J102-2	J200-B22	TAN	407260	41.5"	NO 05
55	J101-1	J200-B23	TAN	407260	41.5"	NC 05
56	J101-3	J200-B24	TAN	407260	41.5"	COMM 04
57	J101-5	J200-B25	TAN	407260	41.5"	NO 03
58	J101-7	J200-B26	TAN	407260	41.5"	NC 03
59	J101-9	J200-B27	TAN	407260	41.5"	COMM 02
60	J100-10	J200-B28	TAN	407260	41.5"	NO 01
61	J100-8	J200-B29	TAN	407260	41.5"	NC 01
62	J100-6	J200-B30	TAN	407260	41.5"	COMM 00
63	J100-4	J200-B31	TAN	407260	41.5"	NC
64	J100-2	J200-B32	TAN	407260	41.5"	GND
65	J113-3	J201-A1	RED	407260	41.5"	COMM 59
66	J113-1	J201-A2	BRN	407260	41.5"	NO 58
67	J112-2	J201-A3	BLK	407260	41.5"	NC 58
68	J112-4	J201-A4	WHT	407260	41.5"	COMM 57
69	J112-6	J201-A5	GRY	407260	41.5"	NO 56
70	J112-8	J201-A6	VIO	407260	41.5"	NC 56
71	J112-10	J201-A7	BLU	407260	41.5"	COMM 55
72	J111-9	J201-A8	GRN	407260	41.5"	NO 54
73	J111-7	J201-A9	YEL	407260	41.5"	NC 54
74	J111-5	J201-A10	ORN	407260	41.5"	COMM 53
75	J111-3	J201-A11	RED	407260	41.5"	NO 52
76	J111-1	J201-A12	BRN	407260	41.5"	NC 52
77	J110-2	J201-A13	BLK	407260	41.5"	COMM 51
78	J110-4	J201-A14	WHT	407260	41.5"	NO 50
79	J110-6	J201-A15	CRY	407260	41.5"	NC 50
80	J110-8	J201-A16	VIO	407260	41.5"	COMM 49
81	J110-10	J201-A17	BLU	407260	41.5"	NO 48
82	109-9	J201-A18	GRN	407260	41.5"	NC 48
83	J109-7	J201-A19	YEL	407260	41.5"	COMM 47
84	J109-5	J201-A20	ORN	407260	41.5"	NO 46
85	J109-3	J201-A21	RED	407260	41.5"	NC 46
86	J109-1	J201-A22	BRN	407260	41.5"	COMM 45
87	J108-2	J201-A23	BLK	407260	41.5"	NO 44
88	J108-4	J201-A24	WHT	407260	41.5"	NC 44
89	J108-6	J201-A25	CRY	407260	41.5"	COMM 43
90	J108-8	J201-A26	VIO	407260	41.5"	NO 42
91	J108-10	J201-A~7	BLU	407260	41.5"	NC 42
92	J107-9	J201-A28	GRN	407260	41.5"	COMM 41
93	J107-7	J201-A29	YEL	407260	41.5"	NO 40
94	J107-5	J201-A30	ORN	407260	41.5"	NC 40
95	J107-3	J201-A31	RED	407260	41.5"	NC GND
96	J107-1	J201-A32	BRN	407260	41.5"	

RACAL Instruments, Inc., 4 Goodyear St., Irvine, CA 92718

DOCUMENT TITLE	SIZE	CODE. NO.	DOCUMENT NO.	REV
HARNESS ASSEMBLY, 1260-17, TTI	A	21793	407275	A
	DRN			SHEET 6 of 11

ENGINEERING WIRE LIST

WIRE	FROM	TO	TYPE	PART #	WIRE LEN	REFERENCE
97	J113-4	J201-B1	TAN	407260	41.5"	NO 59
98	J113-2	J201-B2	TAN	407260	41.5"	NC 59
99	J112-1	J201-B3	TAN	407260	41.5"	COMM 58
100	J112-3	J201-B4	TAN	407260	41.5"	NO 57
101	J112-5	J201-B5	TAN	407260	41.5"	NC 57
102	J112-7	J201-B6	TAN	407260	41.5"	COMM 56
103	J112-9	J201-B7	TAN	407260	41.5"	NO 55
104	J111-10	J201-B8	TAN	407260	41.5"	NC 55
105	J111-8	J201-B9	TAN	407260	41.5"	COMM 54
106	J111-6	J201-B10	TAN	407260	41.5"	NO 53
107	J111-4	J201-B11	TAN	407260	41.5"	NC 53
108	J111-2	J201-B12	TAN	407260	41.5"	COMM 52
109	J110-1	J201-B13	TAN	407260	41.5"	NO 51
110	J110-3	J201-B14	TAN	407260	41.5"	NC 51
111	J110-5	J201-B15	TAN	407260	41.5"	COMM 50
112	J110-7	J201-B16	TAN	407260	41.5"	NO 49
113	J110-9	J201-B17	TAN	407260	41.5"	NC 49
114	J109-10	J201-B18	TAN	407260	41.5"	COMM 48
115	J109-8	J201-B19	TAN	407260	41.5"	NO 47
116	J109-6	J201-B20	TAN	407260	41.5"	NC 47
117	J109-4	J201-B21	TAN	407260	41.5"	COMM 46
118	J109-2	J201-B22	TAN	407260	41.5"	NO 45
119	J108-1	J201-B23	TAN	407260	41.5"	NC 45
120	J108-3	J201-B24	TAN	407260	41.5"	COMM 44
121	J108-5	J201-B25	TAN	407260	41.5"	NO 43
122	J108-7	J201-B26	TAN	407260	41.5"	NC 43
123	J108-9	J201-B27	TAN	407260	41.5"	COMM 42
124	J107-10	J201-B28	TAN	407260	41.5"	NO 41
125	J107-8	J201-B29	TAN	407260	41.5"	NC 41
126	J107-6	J201-B30	TAN	407260	41.5"	COMM 40
127	J107-4	J201-B31	TAN	407260	41.5"	NC
128	J107-2	J201-B32	TAN	407260	41.5"	GND
129	J120-3	J202-A1	RED	407260	41.5"	COMM 39
130	J120-1	J202-A2	BRN	407260	41.5"	NO 38
131	J119-2	J202-A3	BLK	407260	41.5"	NC 38
132	J119-4	J202-A4	WHT	407260	41.5"	COMM 37
133	J119-6	J202-A5	CRY	407260	41.5"	NO 36
134	J119-8	J202-A6	VIO	407260	41.5"	NC 36
135	J119-10	J202-A7	BLU	407260	41.5"	COMM 35
136	J118-9	J202-A8	GRN	407260	41.5"	NO 34
137	J118-7	J202-A9	YEL	407260	41.5"	NC 34
138	J118-5	J202-A10	ORN	407260	41.5"	COMM 33
139	J118-3	J202-A11	RED	407260	41.5"	NO 32
140	J118-1	J202-A12	BRN	407260	41.5"	NC 32
141	J117-2	J202-A13	BLK	407260	41.5"	COMM 31
142	J117-4	J202-A14	WHT	407260	41.5"	NO 30

RACAL Instruments, Inc., 4 Goodyear St., Irvine, CA 92718

DOCUMENT TITLE	SIZE	CODE. NO.	DOCUMENT NO.	REV
HARNESS ASSEMBLY, 1260-17, TTI	A	21793	407275	A
DRN			SHEET 7 of 11	

ENGINEERING WIRE LIST

WIRE	FROM	TO	TYPE	PART #	WIRE LEN	REFERENCE
143	J117-6	J202-A15	GRY	407260	41.5"	NC 30
144	J117-8	J202-A16	VIO	407260	41.5"	COMM 29
145	J117-10	J202-A17	BLU	407260	41.5"	NO 28
146	J116-9	J202-A18	GRN	407260	41.5"	NC 28
147	J116-7	J202-A19	YEL	407260	41.5"	COMM 27
148	J116-5	J202-A20	ORN	407260	41.5"	NO 26
149	J116-3	J202-A21	RED	407260	41.5"	NC 26
150	J116-1	J202-A22	BRN	407260	41.5"	COMM 25
151	J115-2	J202-A23	BLK	407260	41.5"	NO 24
152	J115-4	J202-A24	WHT	407260	41.5"	NC 24
153	J115-6	J202-A25	GRY	407260	41.5"	COMM 23
154	J115-8	J202-A26	VIO	407260	41.5"	NO 22
155	J115-10	J202-A27	BLU	407260	41.5"	NC 22
156	J114-9	J202-A28	GRN	407260	41.5"	COMM 21
157	J114-7	J202-A29	YEL	407260	41.5"	NO 20
158	J114-5	J202-A30	ORN	407260	41.5"	NC 20
159	J114-3	J202-A31	RED	407260	41.5"	NC 20
160	J114-1	J202-A32	BRN	407260	41.5"	GND
161	J120-4	J202-B1	TAN	407260	41.5"	NO 39
162	J120-2	J202-B2	TAN	407260	41.5"	NC 39
163	J119-1	J202-B3	TAN	407260	41.5"	COMM 38
164	J119-3	J202-B4	TAN	407260	41.5"	NO 37
165	J119-5	J202-B5	TAN	407260	41.5"	NC 37
166	J119-7	J202-B6	TAN	407260	41.5"	COMM 36
167	J119-9	J202-B7	TAN	407260	41.5"	NO 35
168	J118-10	J202-B8	TAN	407260	41.5"	NC 35
169	J118-8	J202-B9	TAN	407260	41.5"	COMM 34
170	J118-6	J202-B10	TAN	407260	41.5"	NO 33
171	J118-4	J202-B11	TAN	407260	41.5"	NC 33
172	J118-2	J202-B12	TAN	407260	41.5"	COMM 32
173	J117-1	J202-B13	TAN	407260	41.5"	NO 31
174	J117-3	J202-B14	TAN	407260	41.5"	NC 31
175	J117-5	J202-B15	TAN	407260	41.5"	COMM 30
176	J117-7	J202-B16	TAN	407260	41.5"	NO 29
177	J117-9	J202-B17	TAN	407260	41.5"	NC 29
178	J116-10	J202-B18	TAN	407260	41.5"	COMM 28
179	J116-8	J202-B19	TAN	407260	41.5"	NO 27
180	J116-6	J202-B20	TAN	407260	41.5"	NC 27
181	J116-4	J202-B21	TAN	407260	41.5"	COMM 26
182	J116-2	J202-B22	TAN	407260	41.5"	NO 25
183	J115-1	J202-B23	TAN	407260	41.5"	NC 25
184	J115-3	J202-B24	TAN	407260	41.5"	COMM 24
185	J115-5	J202-B25	TAN	407260	41.5"	NO 23
186	J115-7	J202-B26	TAN	407260	41.5"	NC 23
187	J115-9	J202-B27	TAN	407260	41.5"	COMM 22
188	J114-10	J202-B28	TAN	407260	41.5"	NO 21
189	J114-8	J202-B29	TAN	407260	41.5"	NC 21
190	J114-6	J202-B30	TAN	407260	41.5"	COMM 20

RACAL Instruments, Inc., 4 Goodyear St., Irvine, CA 92718

DOCUMENT TITLE	SIZE	CODE. NO.	DOCUMENT NO.	REV
HARNESS ASSEMBLY, 1260-17, TTI	A	21793	407275	A
	DRN			SHEET 8 of 11

ENGINEERING WIRE LIST

WIRE	FROM	TO	TYPE	PART #	WIRE LEN	REFERENCE
191	J114-4	J202-B31	TAN	407260	41.5"	NC
192	J114-2	J202-B32	TAN	407260	41.5"	GND
193	J127-3	J203-A1	RED	407260	41.5"	COMM 79
194	J127-1	J203-A2	BRN	407260	41.5"	NO 78
195	J126-2	J203-A3	BLK	407260	41.5"	NC 78
196	J126-4	J203-A4	WHT	407260	41.5"	COMM 77
197	J126-6	J203-A5	GRY	407260	41.5"	NO 76
198	J126-8	J203-A6	VIO	407260	41.5"	NC 76
199	J126-10	J203-A7	BLU	407260	41.5"	COMM 75
200	J125-9	J203-A8	GRN	407260	41.5"	NO 74
201	J125-7	J203-A9	YEL	407260	41.5"	NC 74
202	J125-5	J203-A10	ORN	407260	41.5"	COMM 73
203	J125-3	J203-A11	RED	407260	41.5"	NO 72
204	J125-1	J203-A12	BRN	407260	41.5"	NC 72
205	J124-2	J203-A13	BLK	407260	41.5"	COMM 71
206	J124-4	J203-A14	WHT	407260	41.5"	NO 70
207	J124-6	J203-A15	GRY	407260	41.5"	NC 70
208	J124-8	J203-A16	VIO	407260	41.5"	COMM 69
209	J124-10	J203-A17	BLU	407260	41.5"	NO 68
210	J123-9	J203-A18	GRN	407260	41.5"	NC 68
211	J123-7	J203-A19	YEL	407260	41.5"	COMM 67
212	J123-5	J203-A20	ORN	407260	41.5"	NO 66
213	J123-3	J203-A21	RED	407260	41.5"	NC 66
214	J123-1	J203-A22	BRN	407260	41.5"	COMM 65
215	J122-2	J203-A23	BLK	407260	41.5"	NO 64
216	J122-4	J203-A24	WHT	407260	41.5"	NC 64
217	J122-6	J203-A25	GRY	407260	41.5"	COMM 63
218	J122-8	J203-A26	VIO	407260	41.5"	NO 62
219	J122-10	J203-A27	BLU	407260	41.5"	NC 62
220	J121-9	J203-A28	GRN	407260	41.5"	COMM 61
221	J121-7	J203-A29	YEL	407260	41.5"	NO 60
222	J121-5	J203-A30	ORN	407260	41.5"	NC 60
223	J121-3	J203-A31	RED	407260	41.5"	NC
224	J121-1	J203-A32	BRN	407260	41.5"	GND
225	J127-4	J203-B1	TAN	407260	41.5"	NO 79
226	J127-2	J203-B2	TAN	407260	41.5"	NC 79
227	J126-1	J203-B3	TAN	407260	41.5"	COMM 78
228	J126-3	J203-B4	TAN	407260	41.5"	NO 77
229	J126-5	J203-B5	TAN	407260	41.5"	NC 77
230	J126-7	J203-B6	TAN	407260	41.5"	COMM 76
231	J126-9	J203-B7	TAN	407260	41.5"	NO 75
232	J125-10	J203-B8	TAN	407260	41.5"	NC 75
233	J125-8	J203-B9	TAN	407260	41.5"	COMM 74
234	J125-6	J203-B10	TAN	407260	41.5"	NO 73
235	J125-4	J203-B11	TAN	407260	41.5"	NC 73
236	J125-2	J203-B12	TAN	407260	41.5"	COMM 72

RACAL Instruments, Inc., 4 Goodyear St., Irvine, CA 92718

DOCUMENT TITLE	SIZE	CODE. NO.	DOCUMENT NO.	REV
HARNESS ASSEMBLY, 1260-17, TTI	A	21793	407275	A
	DRN			SHEET 9 of 11

ENGINEERING WIRE LIST

WIRE	FROM	TO	TYPE	PART #	WIRE LEN	REFERENCE
237	J124-1	J203-B13	TAN	407260	41.5"	NO 71
238	J124-3	J203-B14	TAN	407260	41.5"	NC 71
239	J124-5	J203-B15	TAN	407260	41.5"	COMM 70
240	J124-7	J203-B16	TAN	407260	41.5"	NO 69
241	J124-9	J203-B17	TAN	407260	41.5"	NC 69
242	J123-10	J203-B18	TAN	407260	41.5"	COMM 68
243	J123-8	J203-B19	TAN	407260	41.5"	NO 67
244	J123-6	J203-B20	TAN	407260	41.5"	NC 67
245	J123-4	J203-B21	TAN	407260	41.5"	COMM 66
246	J123-2	J203-B22	TAN	407260	41.5"	NO 65
247	J122-1	J203-B23	TAN	407260	41.5"	NC 65
248	J122-3	J203-B24	TAN	407260	41.5"	COMM 64
249	J122-5	J203-B25	TAN	407260	41.5"	NO 63
250	J122-7	J203-B26	TAN	407260	41.5"	NC 63
251	J122-9	J203-B27	TAN	407260	41.5"	COMM 62
252	J121-10	J203-B28	TAN	407260	41.5"	NO 61
253	J121-8	J203-B29	TAN	407260	41.5"	NC 61
254	J121-6	J203-B30	TAN	407260	41.5"	COMM 60
255	J121-4	J203-B31	TAN	407260	41.5"	NC
256	J121-2	J203-B32	TAN	407260	41.5"	GND
257	J106-5	NO CONNECT				
258	J106-6	NO CONNECT				
259	J106-7	NO CONNECT				
260	J106-8	NO CONNECT				
261	J106-9	NO CONNECT				
262	J106-10	NO CONNECT				
263	J113-5	NO CONNECT				
264	J113-6	NO CONNECT				
265	J113-7	NO CONNECT				
266	J113-8	NO CONNECT				
267	J113-9	NO CONNECT				
268	J113-10	NO CONNECT				
269	J120-5	NO CONNECT				
270	J120-6	NO CONNECT				
271	J120-7	NO CONNECT				
272	J120-8	NO CONNECT				
273	J120-9	NO CONNECT				
274	J120-10	NO CONNECT				
275	J127-5	NO CONNECT				
276	J127-6	NO CONNECT				
277	J127-7	NO CONNECT				
278	J127-8	NO CONNECT				

RACAL Instruments, Inc., 4 Goodyear St., Irvine, CA 92718

DOCUMENT TITLE	SIZE	CODE. NO.	DOCUMENT NO.	REV
HARNESS ASSEMBLY, 1260-17, TTI	A	21793	407275	A
	DRN		SHEET 10 of 11	

ENGINEERING WIRE LIST

WIRE	FROM	TO	TYPE	PART #	WIRE LEN	REFERENCE
279	J127-9	NO CONNECT				
280	J127-10	NO CONNECT				

RACAL Instruments, Inc., 4 Goodyear St., Irvine, CA 92718				
DOCUMENT TITLE	SIZE	CODE. NO.	DOCUMENT NO.	REV
HARNESS ASSEMBLY, 1260-17, TTI	A	21793	407275	A
	DRN		SHEET 11 of 11	

Chapter 7

PRODUCT SUPPORT

Product Support

Racal Instruments has a complete Service and Parts Department. If you need technical assistance or should it be necessary to return your product for repair or calibration, call 1-800-722-3262. If parts are required to repair the product at your facility, call 1-949-859-8999 and ask for the Parts Department.

When sending your instrument in for repair, complete the form in the back of this manual.

For worldwide support and the office closest to your facility, refer to the Support Offices section on the following page.

Reshipment Instructions

Use the original packing material when returning the 1260-17 to Racal Instruments for calibration or servicing. The original shipping crate and associated packaging material will provide the necessary protection for safe reshipment.

If the original packing material is unavailable, contact Racal Instruments Customer Service for information.

Support Offices

Racal Instruments, Inc.

4 Goodyear St., Irvine, CA 92618-2002
Tel: (800) 722-3262, FAX: (949) 859-7309

Racal Instruments, Ltd.

480 Bath Road, Slough, Berkshire, SL1 6BE, United Kingdom
Tel: +44 (0) 8706 080134; FAX: +44 (0) 1753 791290

Racal Systems Electronique S.A.

18 Avenue Dutartre, 78150 LeChesnay, France
Tel: +33 (1) 3923 2222; FAX: +33 (1) 3923 2225

Racal Systems Elettronica s.r.l.

Strada 2-Palazzo C4, 20090 Milanofiori Assago, Milan, Italy
Tel: +39 (02) 5750 1796; FAX +39 (02) 5750 1828

Racal Elektronik System GmbH.

Frankenforster Strasse 21, 51427 Bergisch Gladbach, Germany
Tel:+49 2204 92220; FAX: +49 2204 21491

Racal Instruments, Ltd.

Unit 5, 25F., Mega Trade Center, No 1, Mei Wan Road, Tsuen
Wan, Hong Kong, PRC

Tel: +852 2405 5500, FAX: +852 2416 4335